



US006712855B2

(12) **United States Patent**
Martin et al.

(10) **Patent No.:** **US 6,712,855 B2**
(45) **Date of Patent:** **Mar. 30, 2004**

- (54) **COMPLIANT TIBIAL TRAY ASSEMBLY** 4,673,407 A * 6/1987 Martin 623/20
 4,892,551 A 1/1990 Haber
 (75) Inventors: **Daniel L. Martin**, Palo Alto, CA (US); 4,904,264 A 2/1990 Scheunemann
John Robert White, Winona Lake, IN 4,938,768 A 7/1990 Wu
 (US) 4,946,459 A 8/1990 Bradshaw et al.
 4,947,502 A 8/1990 Engelhardt
 (73) Assignee: **Biomet, Inc.**, Warsaw, IN (US) 4,955,910 A 9/1990 Bolesky
 4,959,064 A * 9/1990 Engelhardt 606/65
 (*) Notice: Subject to any disclaimer, the term of this 4,986,834 A 1/1991 Smith et al.
 patent is extended or adjusted under 35 5,007,935 A 4/1991 Vincent et al.
 U.S.C. 154(b) by 0 days. 5,035,712 A 7/1991 Hoffman
 5,057,103 A 10/1991 Davis

(21) Appl. No.: **10/305,620**

(List continued on next page.)

(22) Filed: **Nov. 27, 2002**

FOREIGN PATENT DOCUMENTS

(65) **Prior Publication Data**

DE	3605630	9/1987
DE	293485	9/1991
FR	2519248	12/1981
SU	1181652	9/1985

US 2003/0078669 A1 Apr. 24, 2003

Related U.S. Application Data

OTHER PUBLICATIONS

(63) Continuation of application No. 09/776,584, filed on Feb. 2, 2001, now Pat. No. 6,508,841, which is a continuation of application No. 09/003,061, filed on Jan. 5, 1998, now Pat. No. 6,197,065, which is a continuation-in-part of application No. 08/535,532, filed on Sep. 28, 1995, now abandoned, which is a continuation-in-part of application No. 08/146,510, filed on Nov. 1, 1993, now abandoned.

D.L. Martin, M.D., A.S. Turner, B. V.Sc., M.S., J.O. Johnston, M.D.; Comparison of Cortical Bone Loss is Segmental Bone Prosthetic Replacement: Cemented Stem vs. Compliant Fixation.

Primary Examiner—Bruce Snow

(51) **Int. Cl.**⁷ **A61F 2/38**

(74) *Attorney, Agent, or Firm*—Harness, Dickey & Pierce, P.L.C.

(52) **U.S. Cl.** **623/20.34; 623/23.17**

(57) **ABSTRACT**

(58) **Field of Search** 623/23.17, 20.15,
623/20.25, 20.34

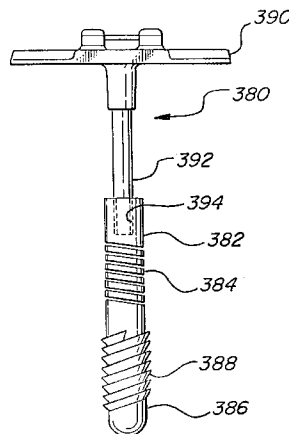
The present invention provides a tibial tray assembly for attaching within a cavity formed in a tibia. The tibial tray assembly includes a main body, an anchor, and a compliant portion disposed between the main body and the anchor. The main body includes a tibial tray that is operable to engage a prepared tibia surface. The anchor is operable to be retained within the cavity formed in the tibia and includes an attachment mechanism located within the cavity and operable to fixedly attach the anchor within the cavity formed within the tibia. The compliant portion disposed between the main body and the anchor is operable to be expanded and contracted.

(56) **References Cited**

U.S. PATENT DOCUMENTS

2,397,545 A	4/1946	Hardinge
3,947,897 A	4/1976	Owens
4,016,874 A	4/1977	Maffei et al.
4,080,666 A	3/1978	Fixel
4,129,903 A	12/1978	Huggler
4,158,895 A	6/1979	Reswick et al.
4,314,381 A	2/1982	Koeneman
4,502,160 A	3/1985	Moore et al.
4,586,932 A	5/1986	Scales
4,644,943 A	2/1987	Thompson et al.

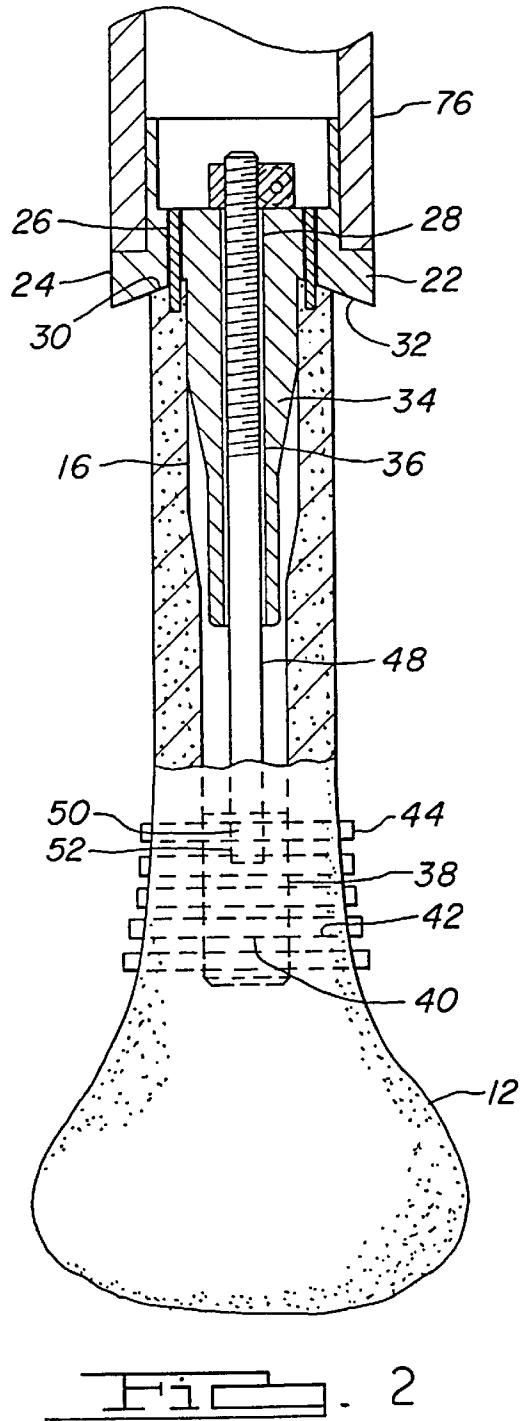
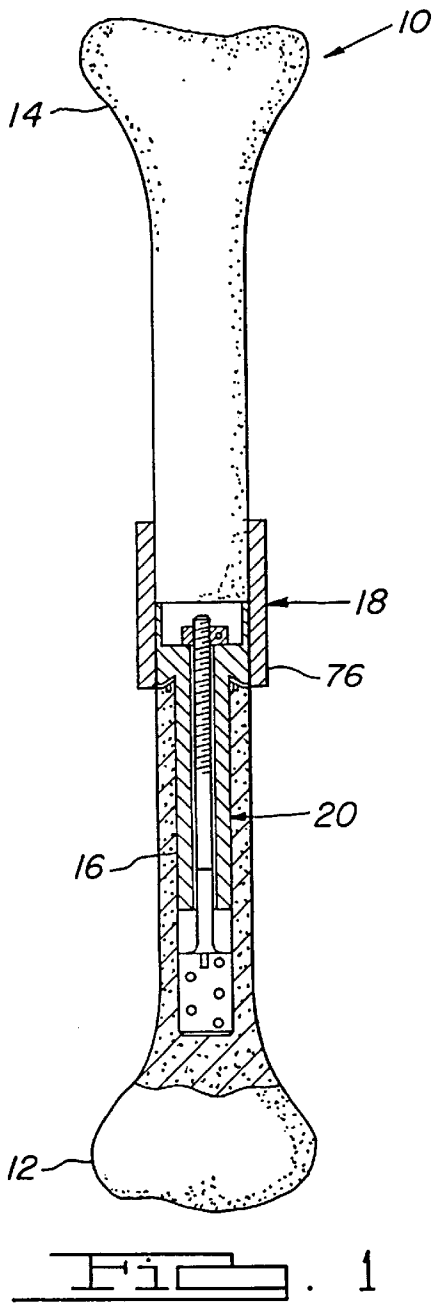
13 Claims, 17 Drawing Sheets

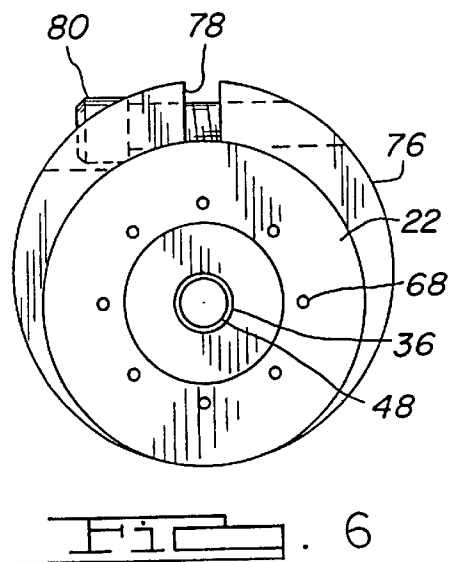
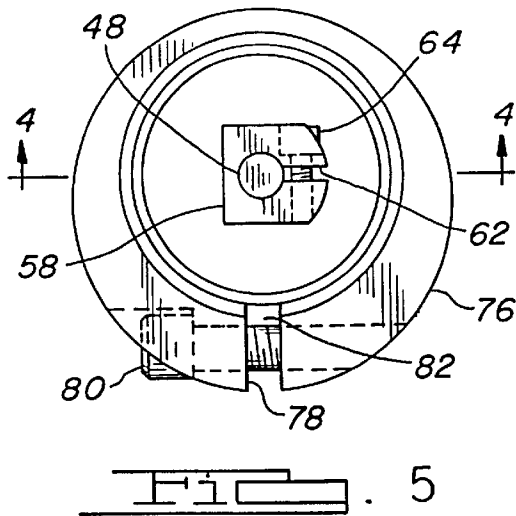
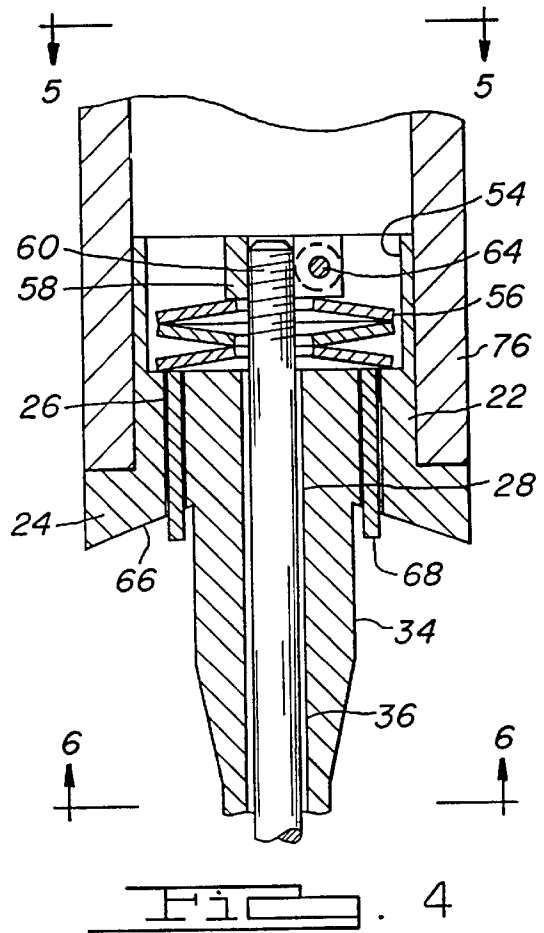
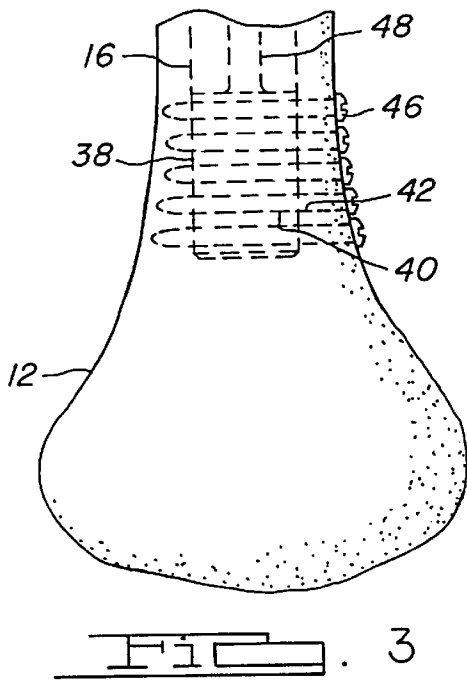


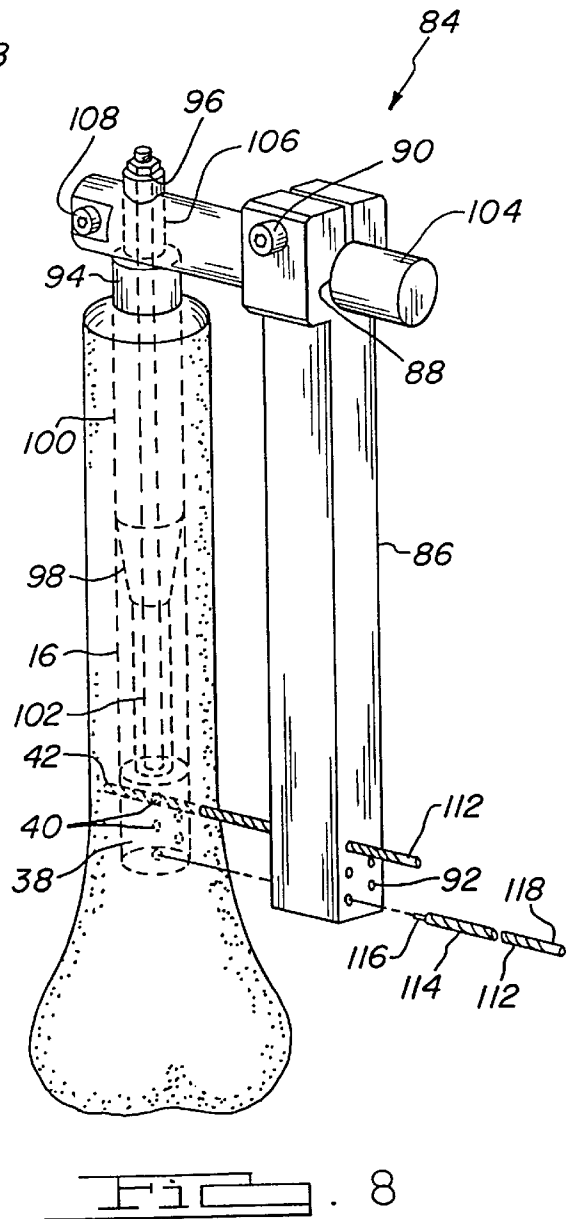
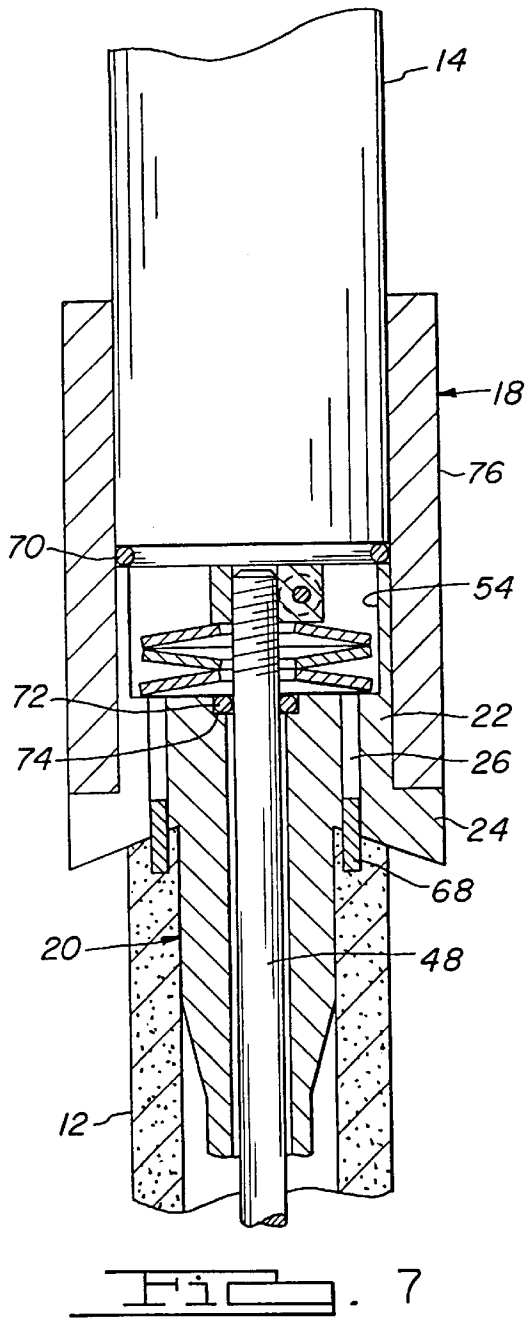
U.S. PATENT DOCUMENTS

5,071,435	A	12/1991	Fuchs et al.	5,334,184	A	8/1994	Bimman
5,108,398	A	4/1992	McQueen et al.	5,352,227	A	10/1994	O'Hara
5,133,760	A	7/1992	Petersen et al.	5,358,524	A	10/1994	Richelsoph
5,180,383	A	* 1/1993	Haydon 606/72	5,389,107	A	2/1995	Nassar et al.
5,181,928	A	1/1993	Bolesky et al.	5,411,504	A	5/1995	Vilas
5,197,989	A	3/1993	Hinckfuss et al.	5,800,553	A	9/1998	Albrektsson et al.
5,201,881	A	4/1993	Evans	5,800,557	A	9/1998	Elhami
5,281,226	A	1/1994	Davydov et al.	6,197,065	B1	3/2001	Martin et al.
5,326,360	A	7/1994	Kotz et al.				

* cited by examiner







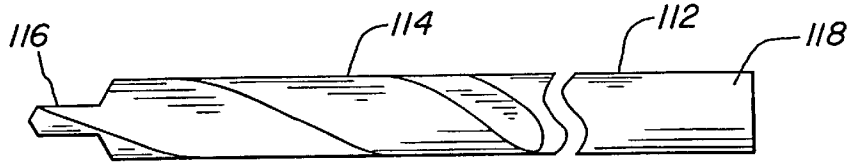


FIG. 9

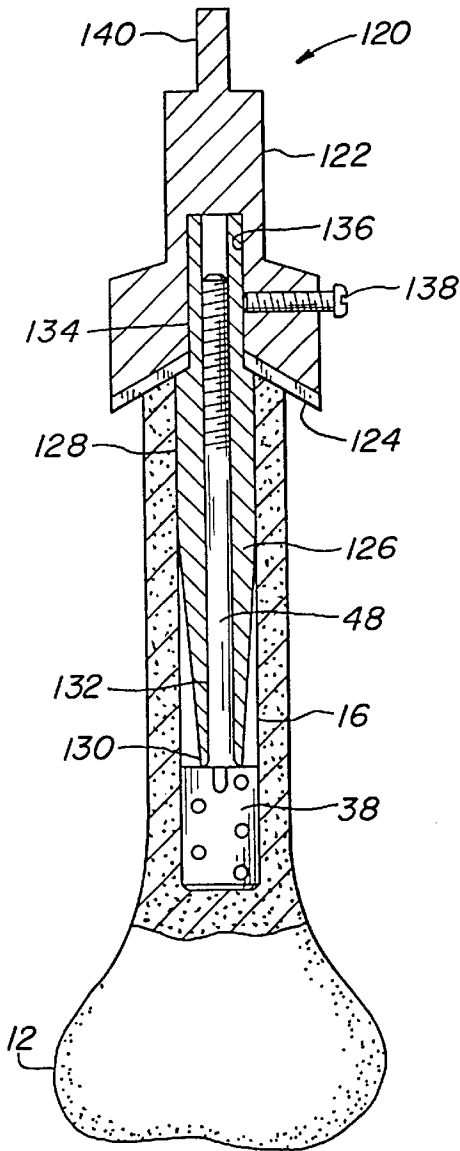


FIG. 10

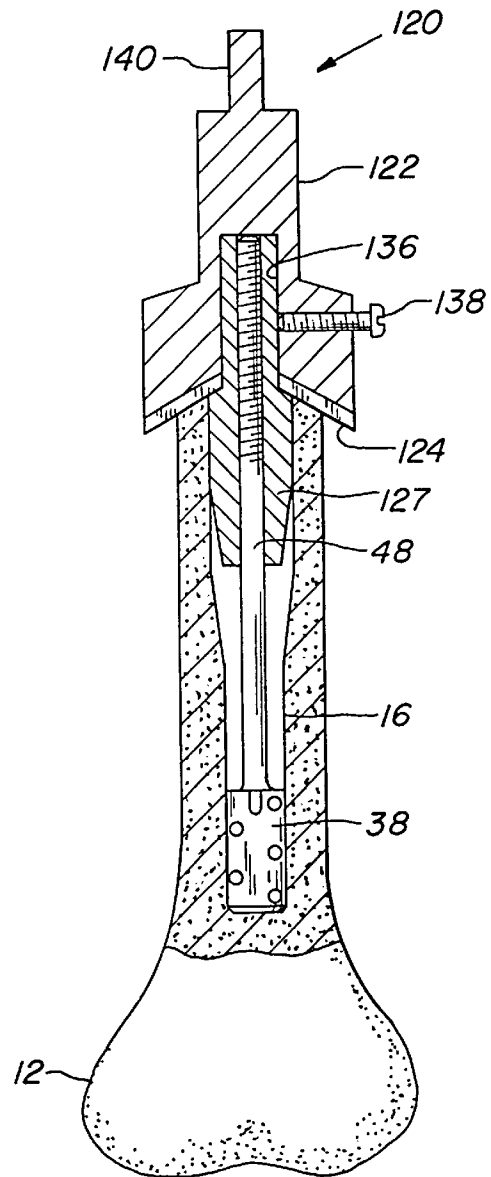
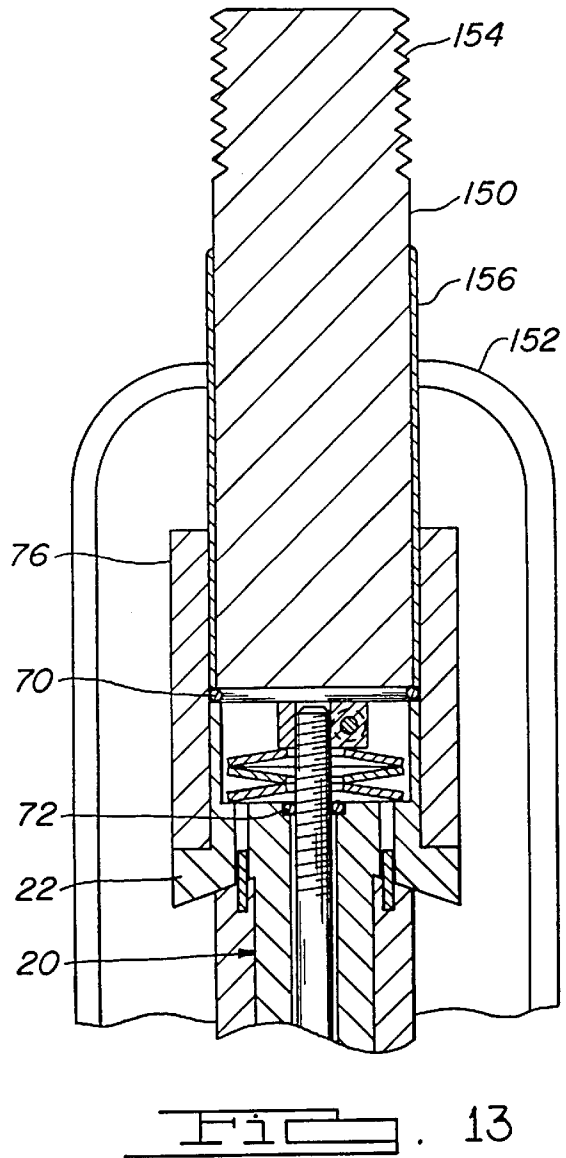
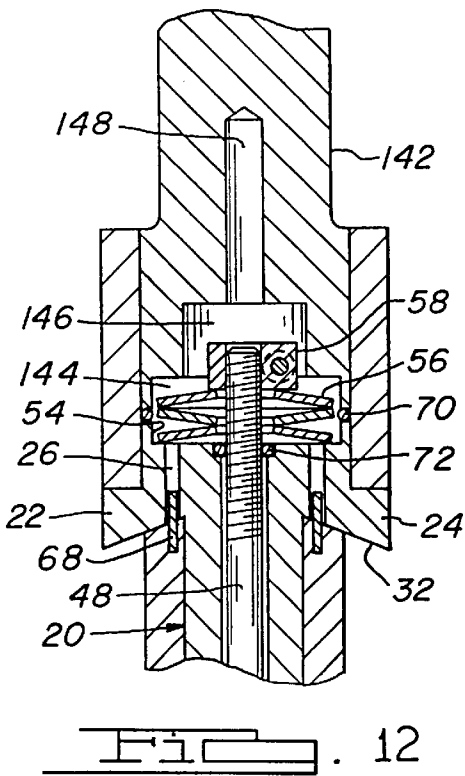
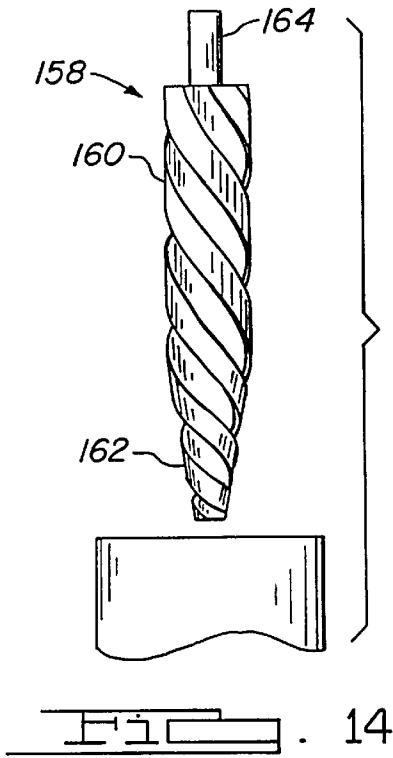


FIG. 11



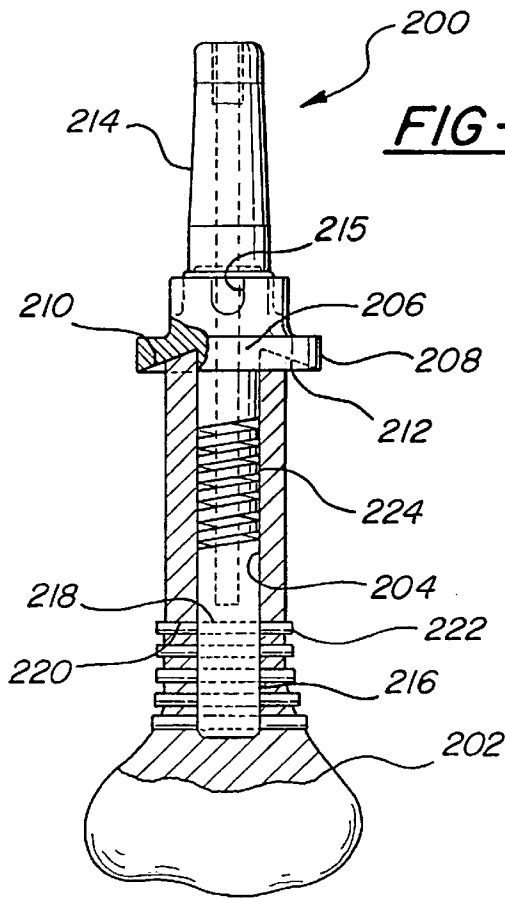


FIG-15

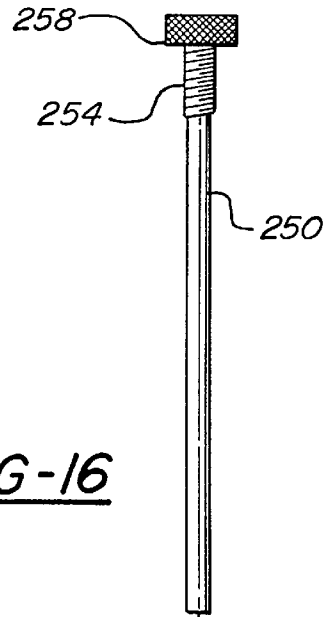


FIG-16

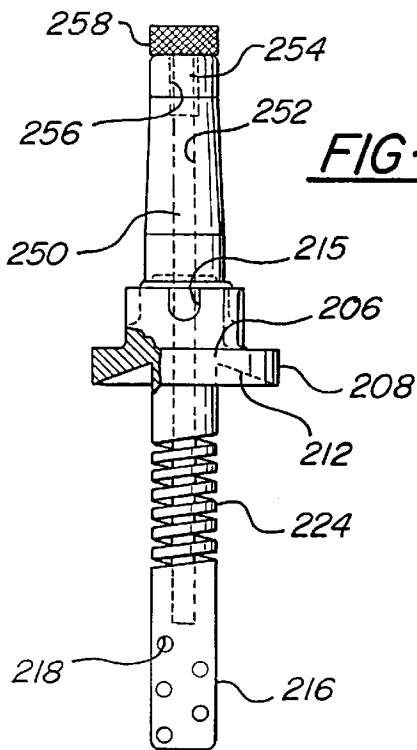
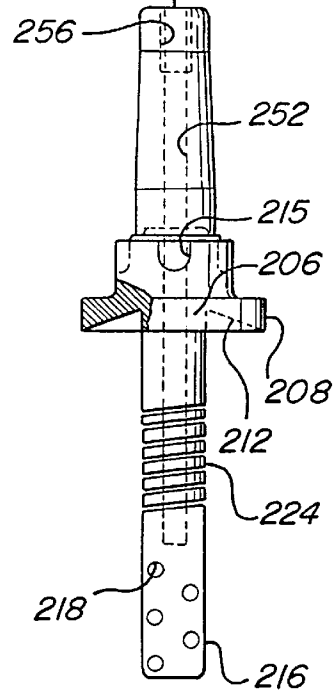


FIG-17



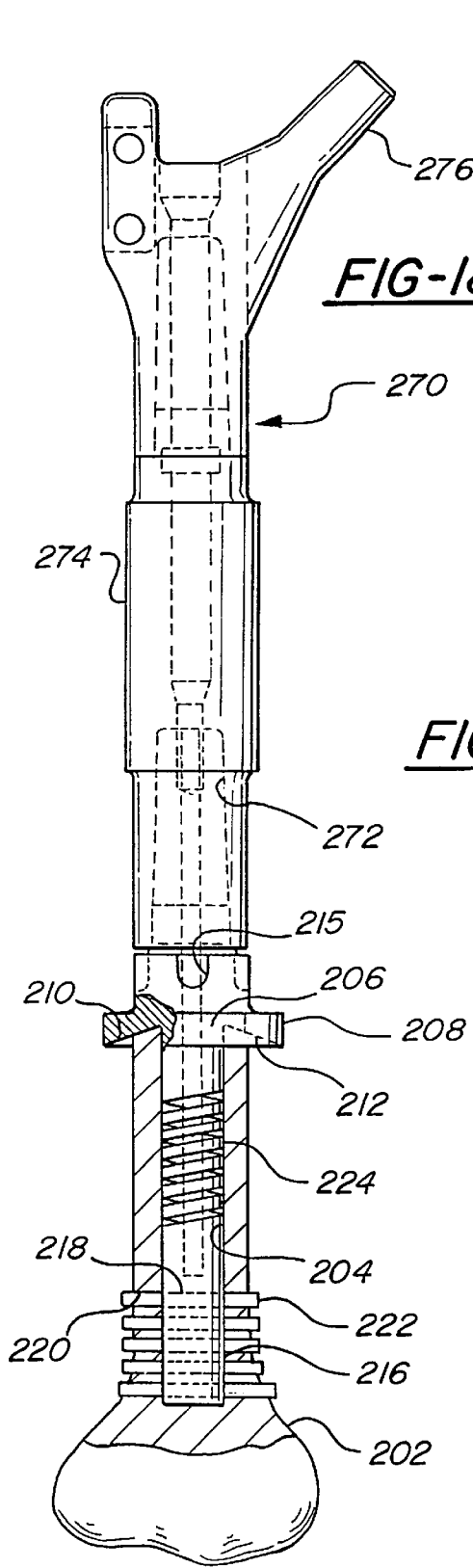


FIG-18

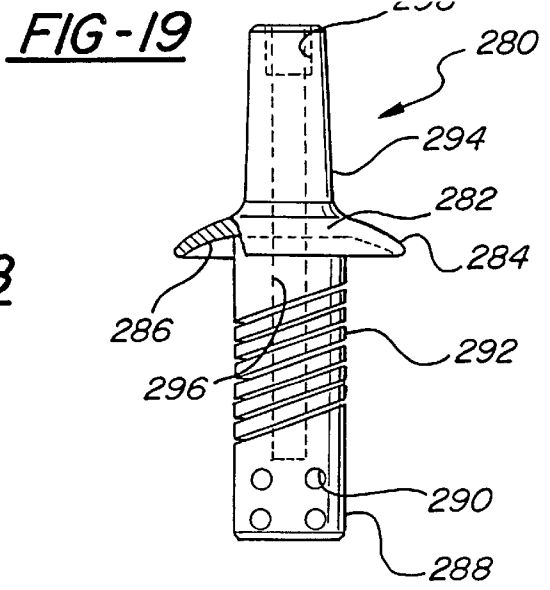


FIG-19

FIG-20

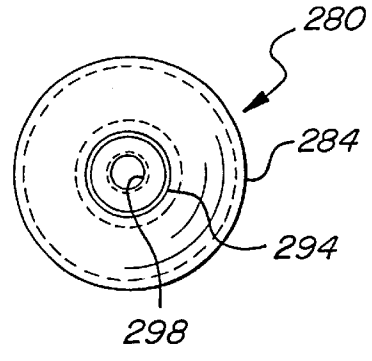
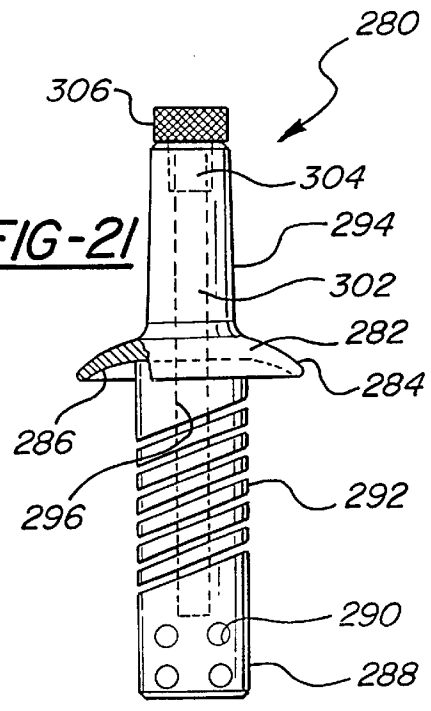


FIG-21



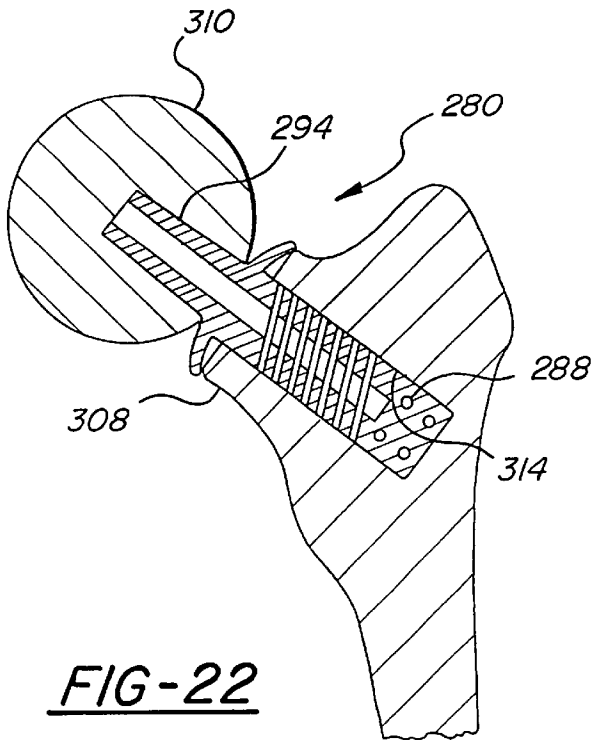


FIG-22

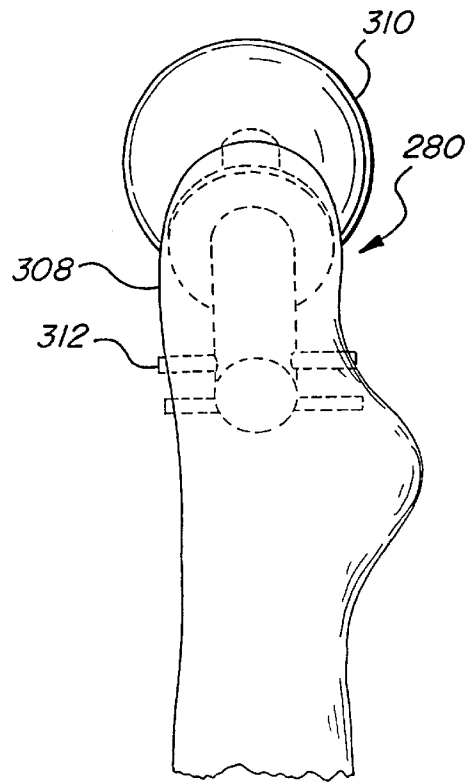


FIG-23

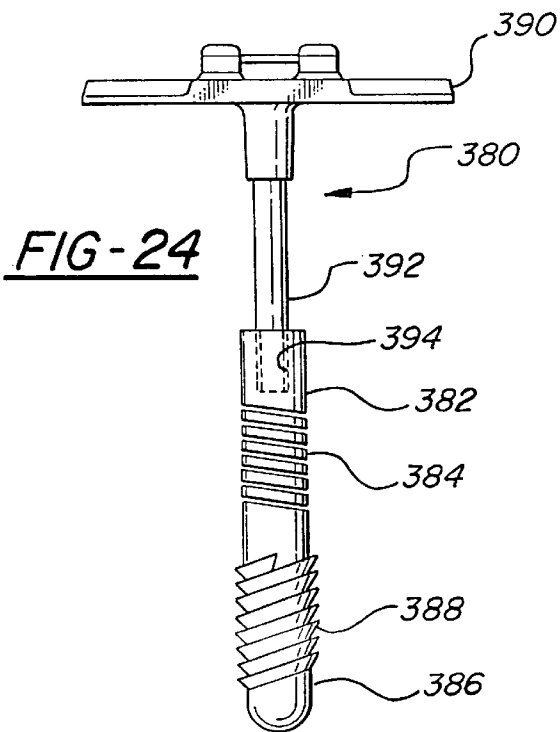


FIG-24

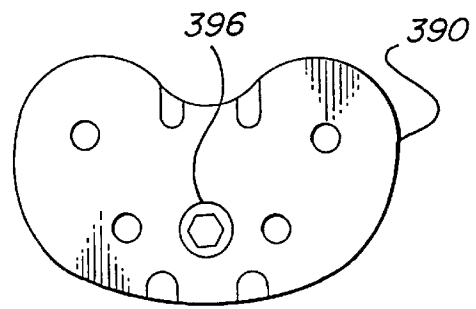
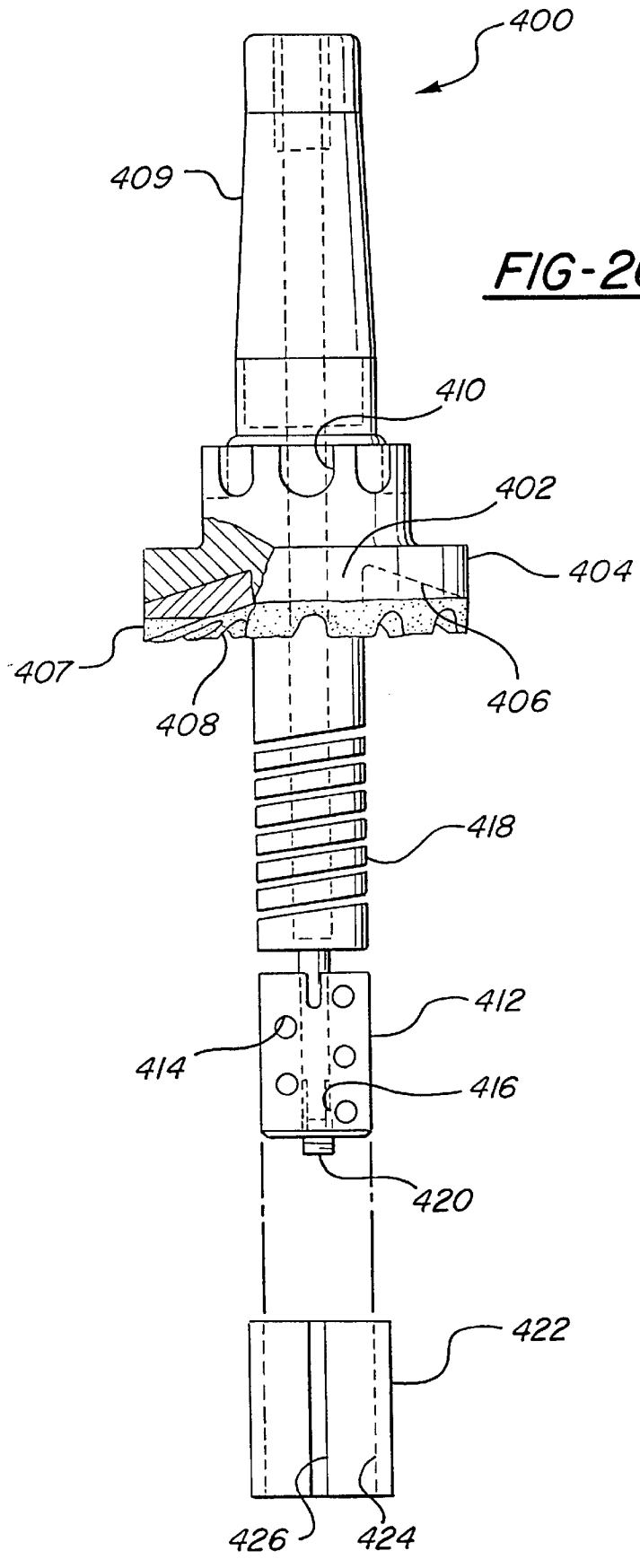
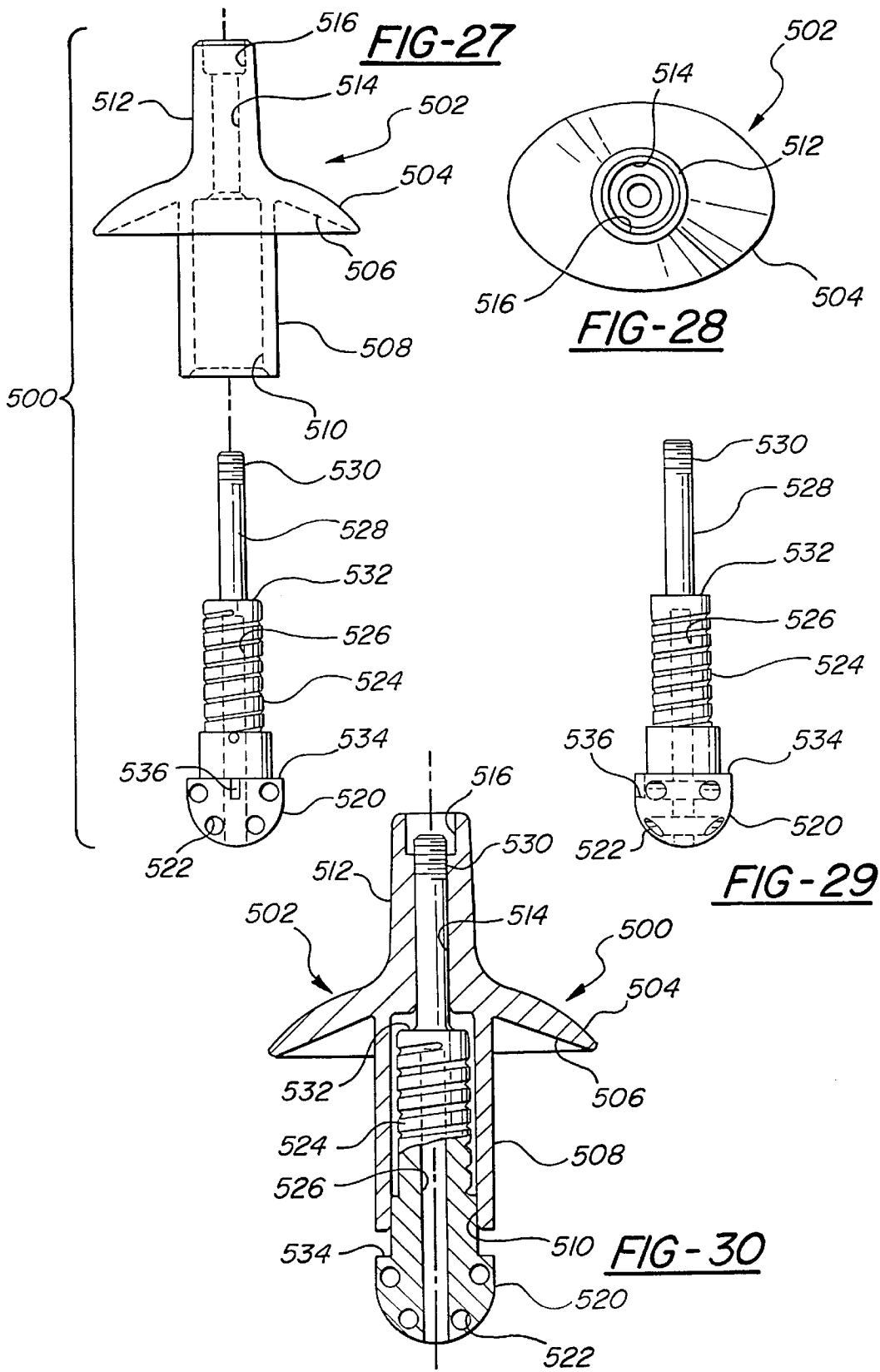
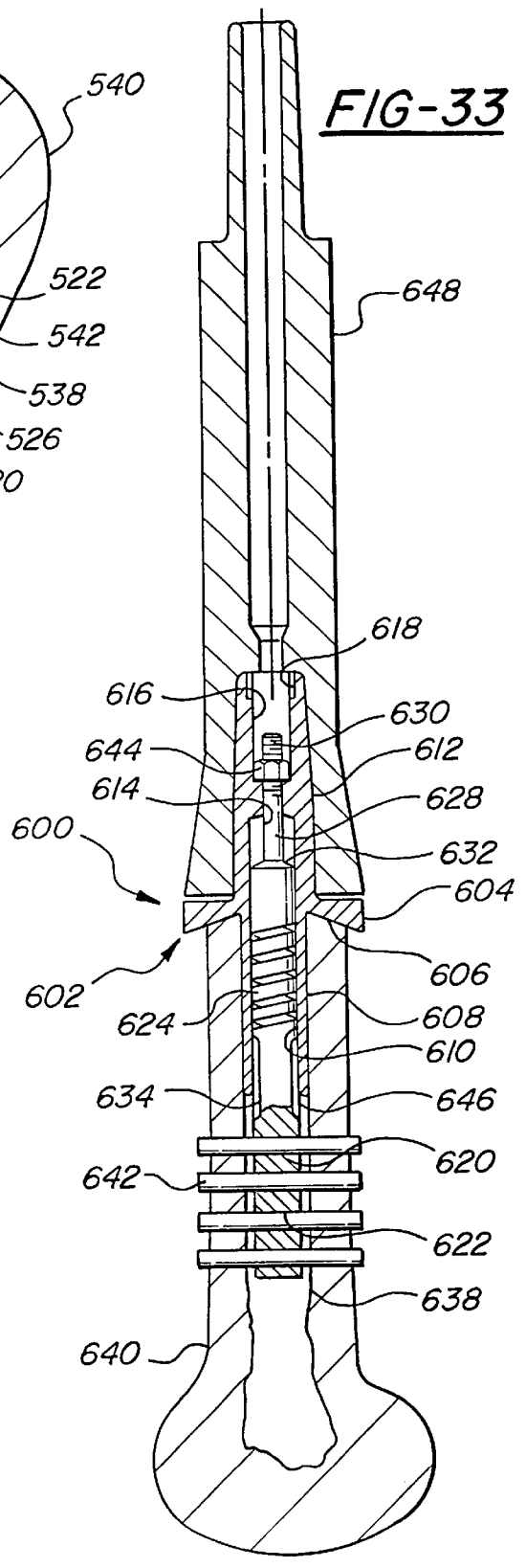
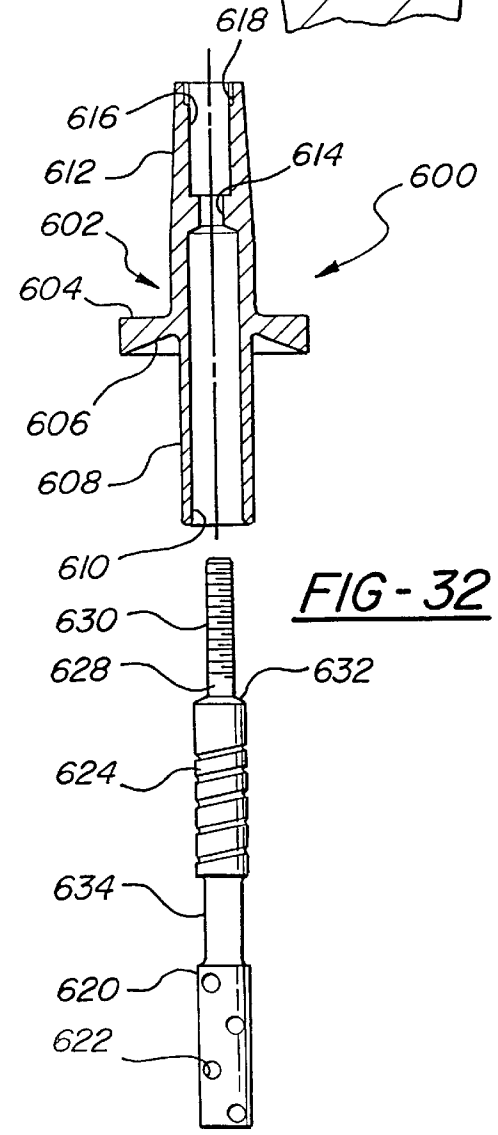
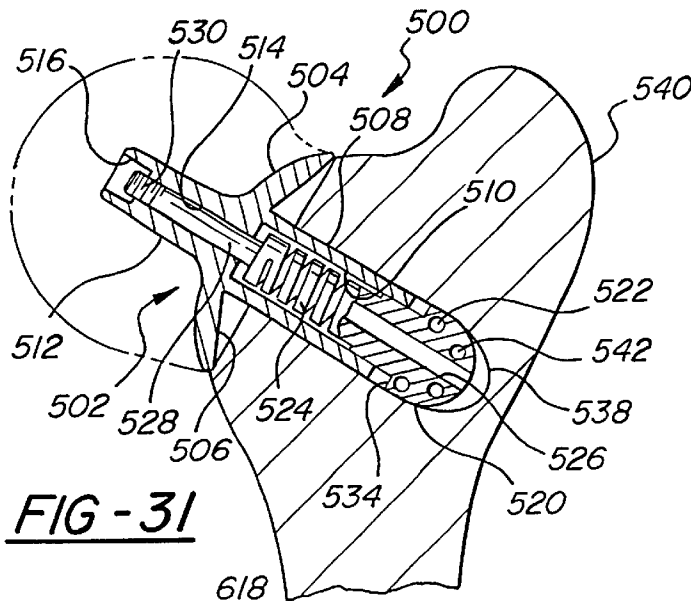


FIG-25







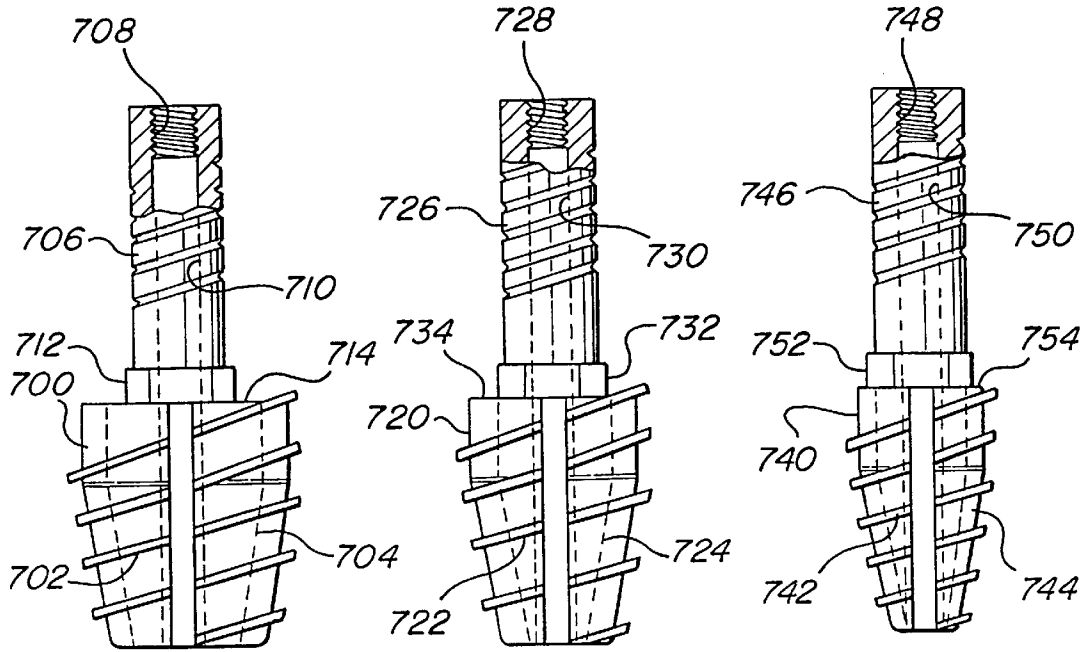


FIG-34

FIG-35

FIG-36

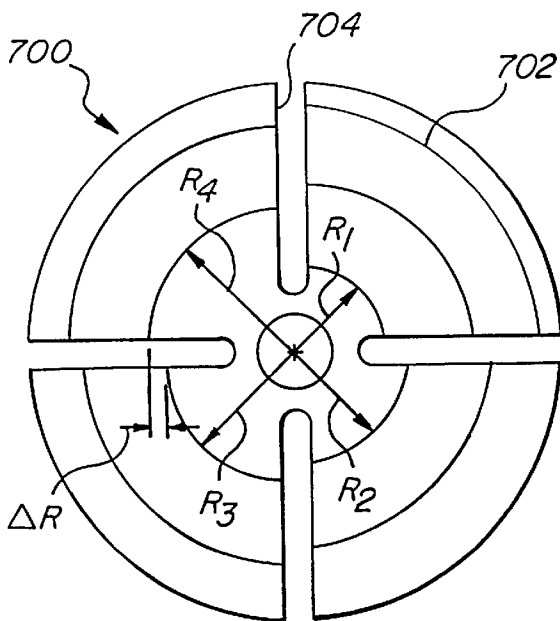


FIG-37

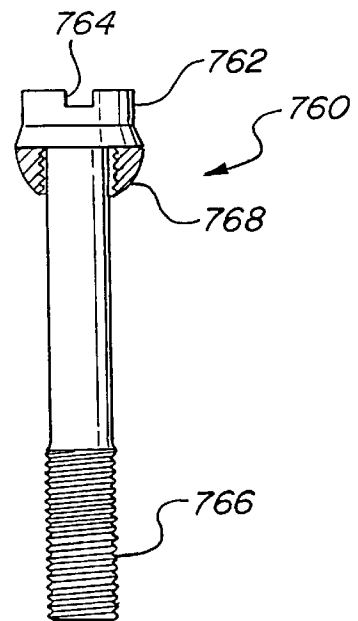


FIG-38

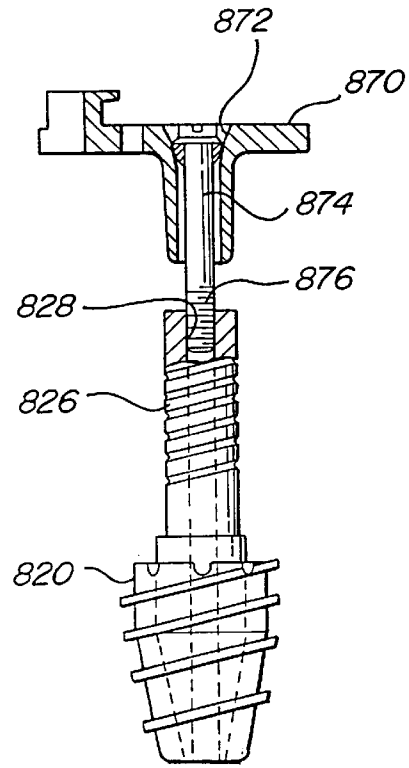
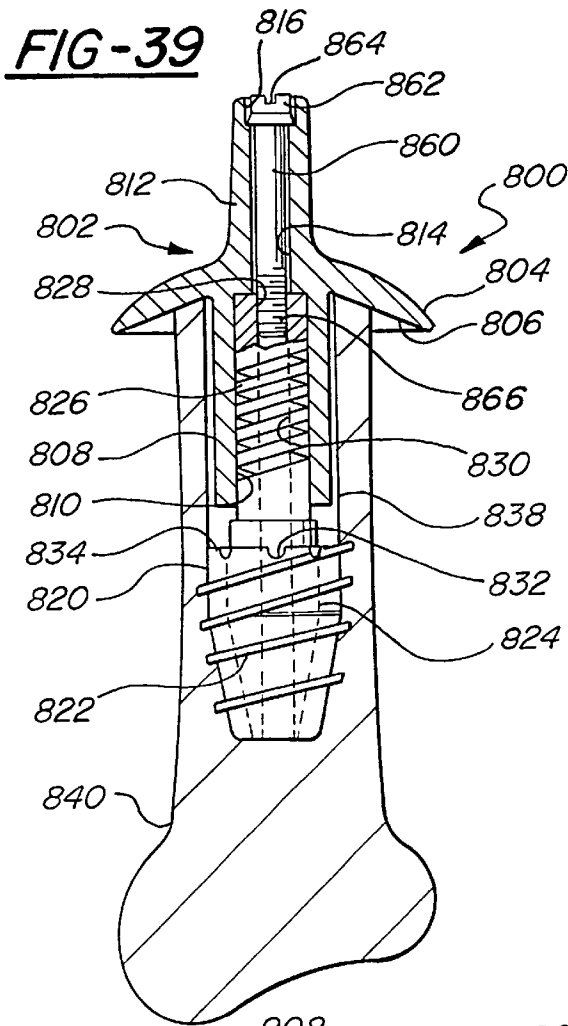


FIG-40

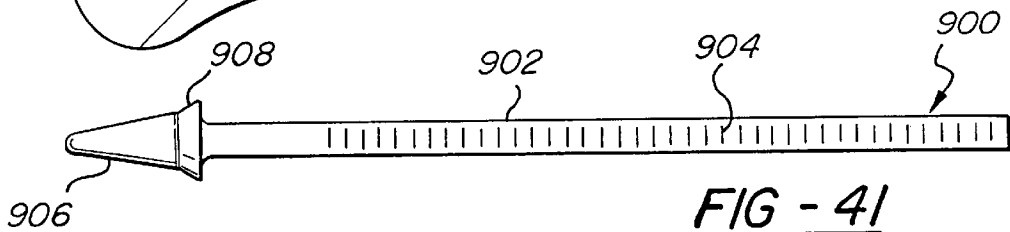


FIG-41

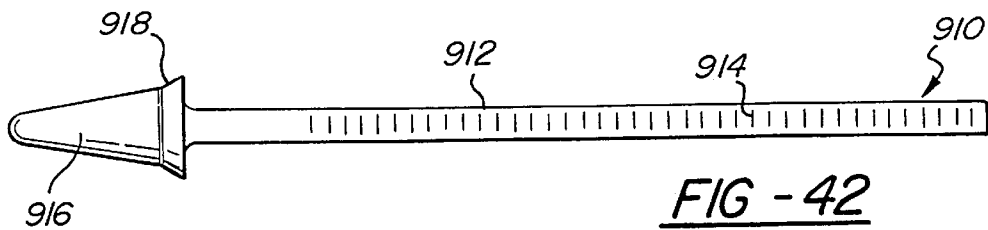


FIG-42

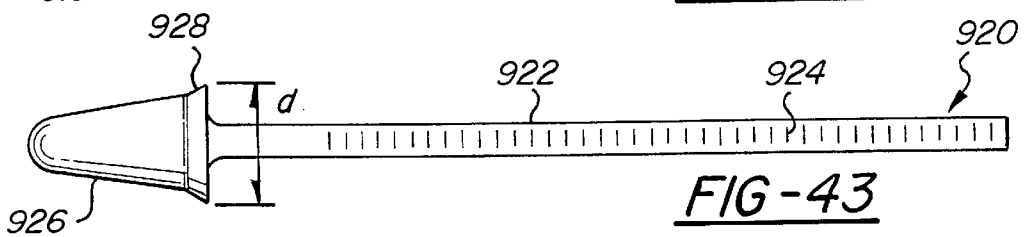


FIG-43

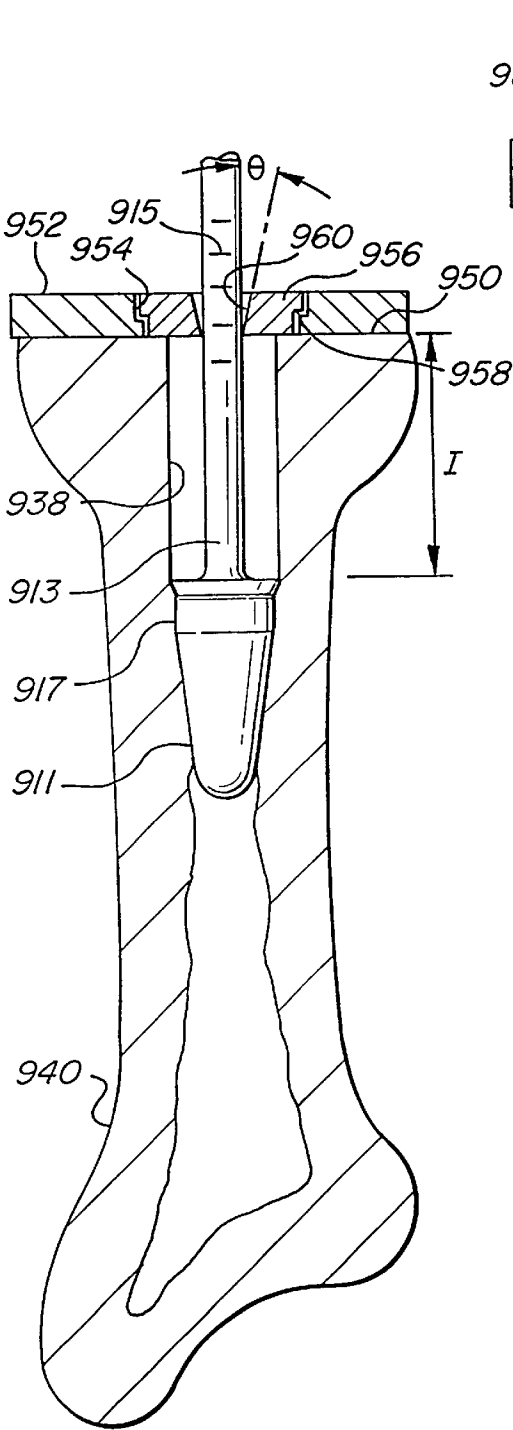


FIG - 44

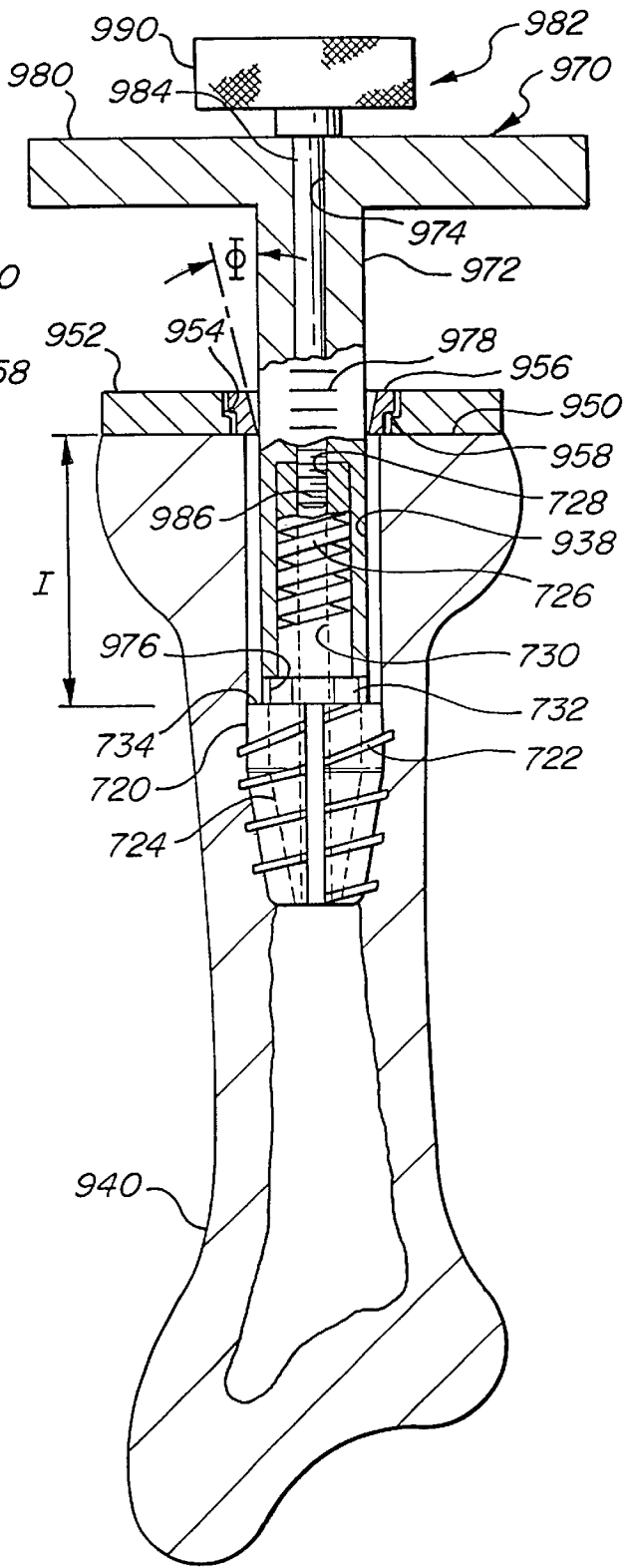


FIG - 45

FIG-46

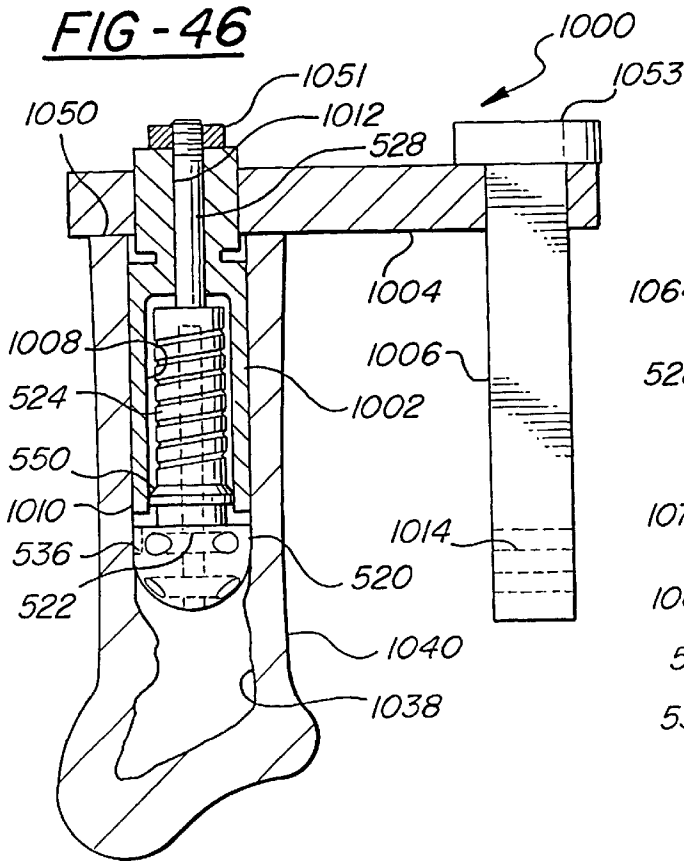


FIG-47

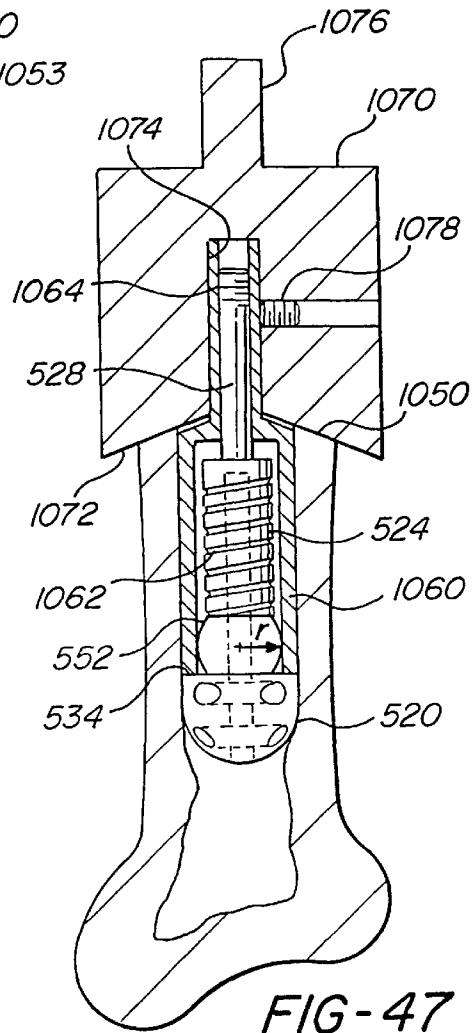
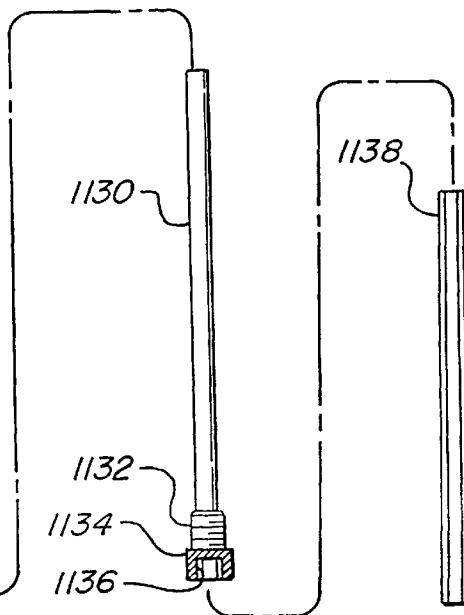
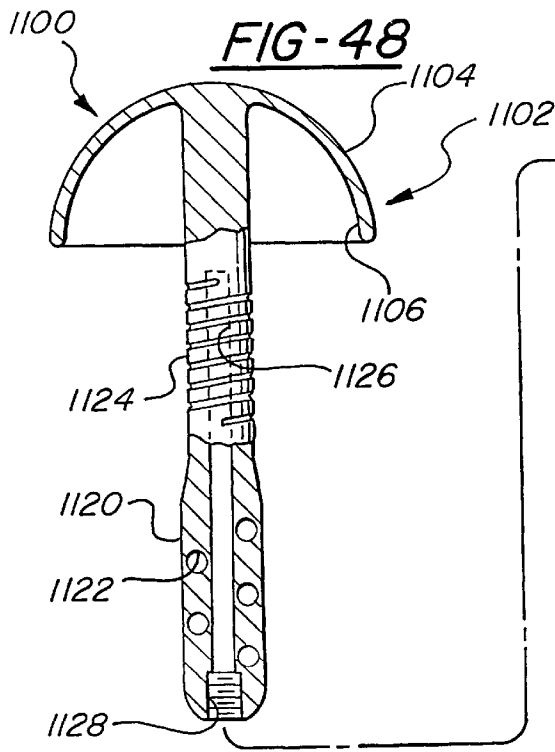


FIG-48



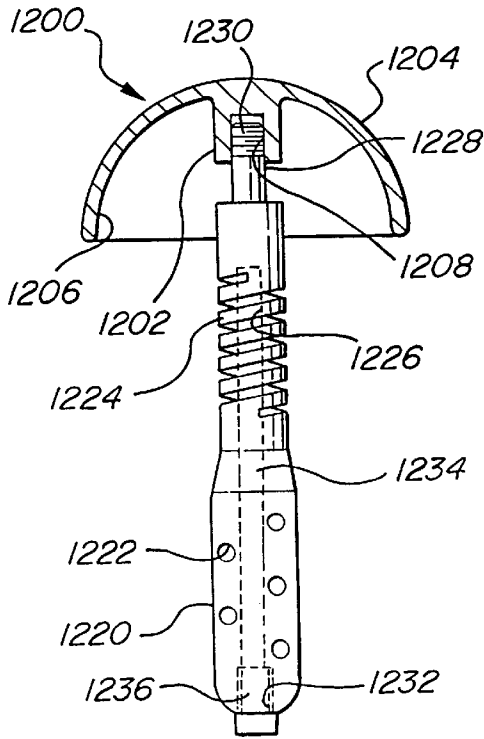


FIG-49

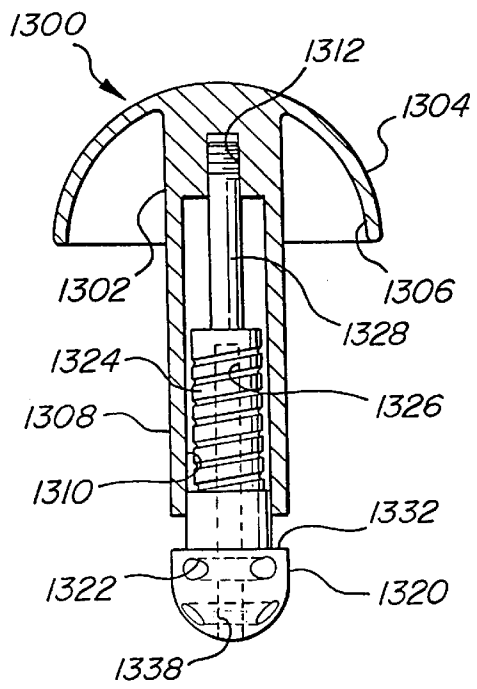


FIG-50

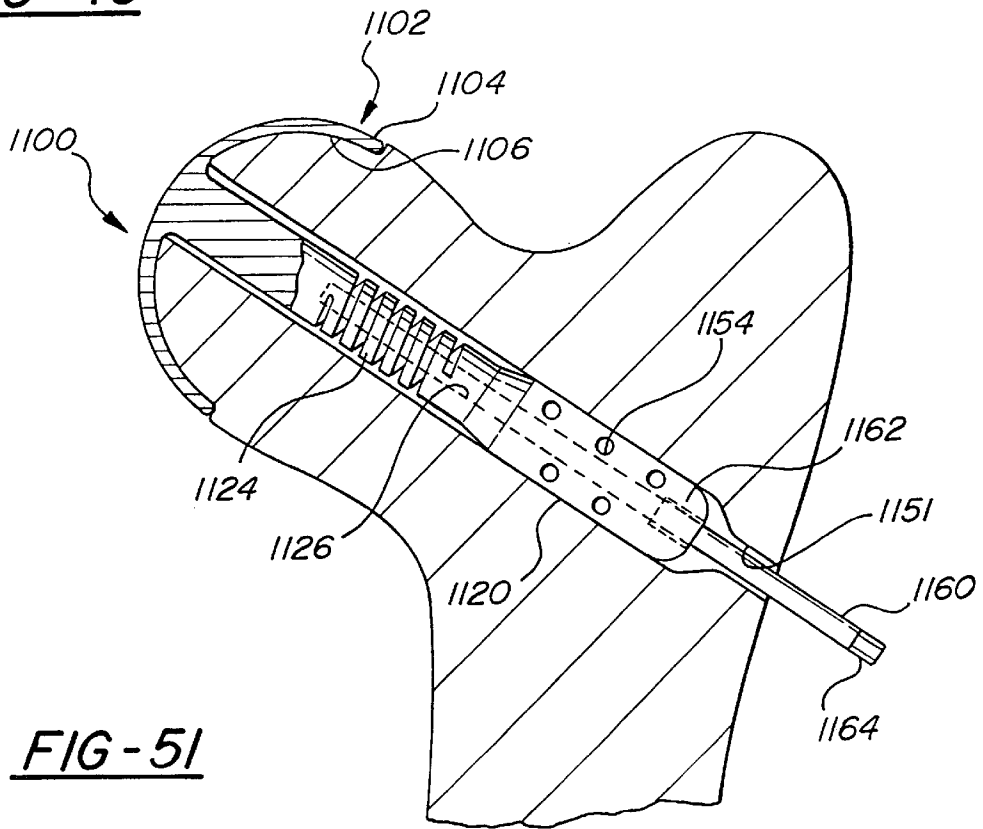
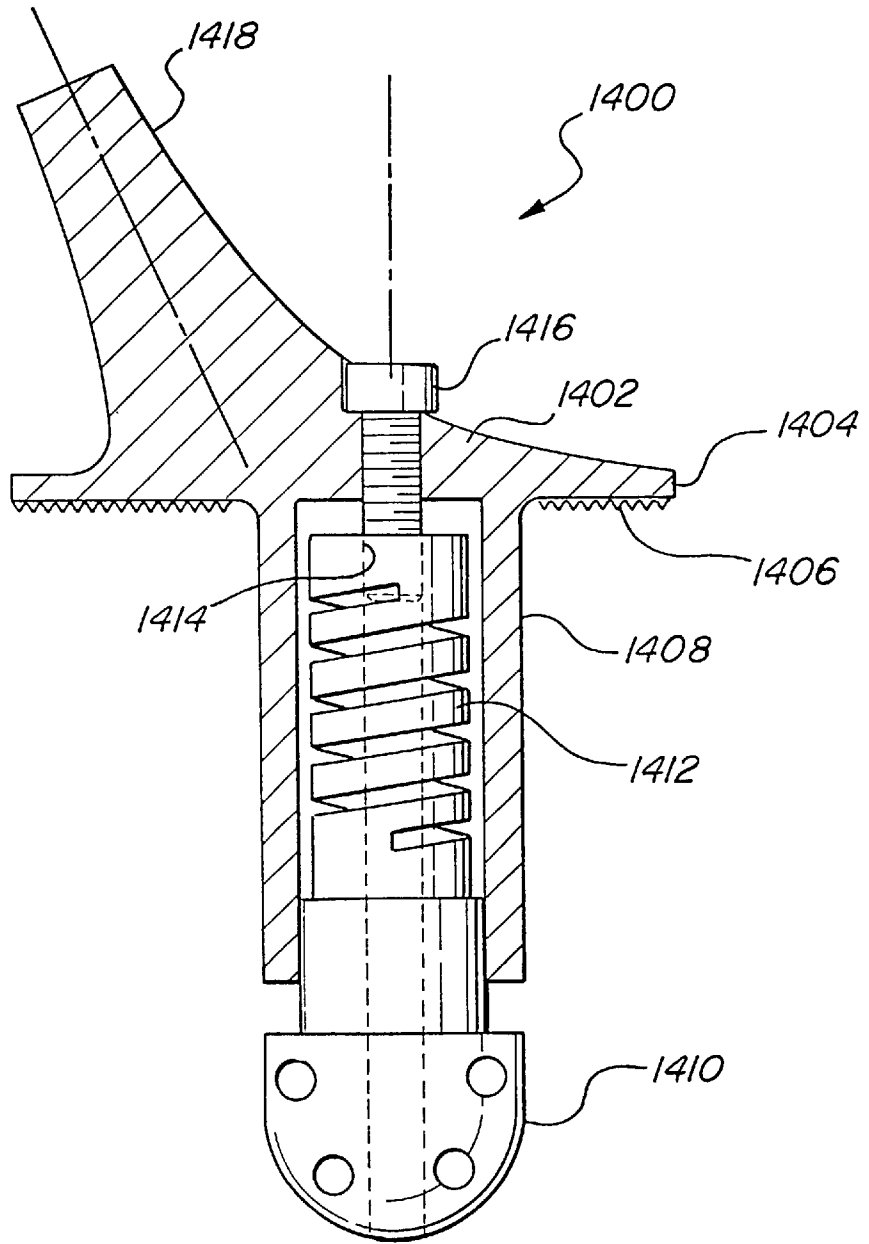


FIG-51

FIG-52



COMPLIANT TIBIAL TRAY ASSEMBLY

CROSS REFERENCE TO RELATED APPLICATIONS

This application is a continuation of U.S. Ser. No. 09/776, 584, filed Feb. 2, 2001 now U.S. Pat. No. 6,508,841, which is a continuation of U.S. Ser. No. 09/003,061, filed Jan. 5, 1998, now U.S. Pat. No. 6,197,065, issued Mar. 6, 2001, which is a continuation-in-part of U.S. Ser. No. 08/535,532, now abandoned, filed Sep. 28, 1995, which is a continuation-in-part of U.S. Ser. No. 08/146,510, filed Nov. 1, 1993, now abandoned.

BACKGROUND

1. Field of the Invention

This invention relates to a bone-replacement prosthetic device, and in particular, to a method and apparatus for segmental bone replacement.

2. Description of the Related Art

In prosthetic segmental bone replacements, it is sometimes necessary to replace a portion of a long bone to correct various types of bone injury such as those caused by bone tumors, osteoarthritis, fracture dislocations, rheumatic arthritis, and aseptic or a vascular bone necrosis. In these types of surgical procedures, it is necessary to resect a mid and/or end portion of a long bone and secure the remaining portion of bone through the use of some type of intramedullary device. This is accomplished by the use of one metal stem, or in certain cases, two opposing metal stems, secured in the medullary region by a "bone cement" or a grout material, such as methylmethacrylate.

Biologic fixation of intramedullary devices at the middiaphyseal level has not been entirely satisfactory, particularly in active younger patients, where it is important to form a stable, long-lasting prosthetic attachment. In time, the lack of adequate stress transfer from the metal stem to the surrounding bone causes a loss of bone density, resulting in increased possibility of bone failure or loosening of the bone-stem interface. Also, the bone reacts in the grout material or smooth metal stem by forming a soft-tissue lining around the cement, and this lining additionally mediates load transfer from the prosthetic device to the bone. The soft-tissue lining that forms about the device tends to loosen over time, particularly with continued shear loads, i.e., loads applied substantially in the direction of the axially extending bone/stem interface, and the loosening may become great enough in time to require surgical revision. Also, the relatively low tolerance of force transfer per unit area of interface requires a large bone/stem interface, which, in younger patients, may exceed the available interface area.

In replacement surgeries, which begin at the mid-diaphyseal level, the enlarged intramedullary cavities created within a remaining diaphyseal bone portion for the insertion and rigid fixation of a metal intramedullary device stem is also of small diameter. As a result, the device stems must be of a small diameter to fit within the diaphysis, with resulting poor rotational control. Also, high bending moments in thin stems at the mid-diaphysis risk fatigue failure, making a stable interface between the stem and the surrounding bone surface even more difficult to achieve.

Although the use of a tapered stem is one way to achieve increased security of the stem within the medullary canal, the canal dimensions tend to increase rather than decrease with increasing depth into the canal, thereby preventing secure wedging of a tapered stem. Consequently, "bone

5 cement" or grout fixation is often used to secure the stem within the medullary canal. This technique, however, prevents stress transfer through the bone to the level of the osteotomy, therefore resulting in osteopenia adjacent to the stem. The same effect prevents bony ingrowth into porous pads on the shoulders of the implants. A limitation of prosthetic devices which rely on biological fixation, particularly fixation to an elongate stem within the intramedullary region of a bone, is the problem of stress protection of the bone region between the area of force application to the prosthesis and the area of load transfer to the bone. Stress protection is due to the rigid attachment between the prosthetic device and bone which occurs in biological fixation and to the relatively high elastic modulus of the implant material, which typically is five to fifteen times greater than that of the surrounding bone. These two factors combine to transfer a stress from the area of stress loading on the implant through the more rigid implant, rather than through the surrounding bone tissue. For example, in a hip-joint prosthesis biologically anchored to the bone by an entire elongate stem, axial stress on the upper joint is transferred largely through the stem to the bone connection farthest from the joint, rather than through the intermediate bone region surrounding the part of the stem closest to the joint. As a result, the intermediate bone region tends to be resorbed over time due to lack of deformation stressing. The gradual loss of bone support in the region of the stem increases the bending load that must be borne by the stem, and this can lead to implant fatigue and failure.

30 The problem of maintaining a motionless bone-prosthesis interface during the post-operative period when bony attachment is occurring may be partially solved by surgically fastening the prosthetic device to the bone structure by screws or the like. This method has been proposed for use in fastening a knee-joint prosthesis to a surgically formed, substantially planar surface of the bone. Typically, the prosthesis is attached by two or more screws, each tightened to hold the prosthesis against the bone surface with a selected compression. However, since the bone quickly accommodates to the applied force of the screws, by viscoelastic creep, the compression, and thus the resistance to the implant movement relative to the bone, is quickly lost. If interface movement does occur from a single episode of overloading, then any residual compression is permanently lost. More movements result in build-up of fibrous tissue, preempting biological bone fixation to the implant. Only with unphysiologic post-operative protection of the joint, resulting in joint stiffness and muscle wasting, and with demanding operative technique, can risk of loosening be reduced. The device also suffers from problems of stress protection and non-physiological load transfer, inasmuch as loading force applied to the prosthesis is transferred directly through the screws, rather than through the region of bone through which the screws extend. This can lead to loss of bone integrity in the stress protected area.

65 The problems associated with anchorage via soft tissue along a prosthesis stem have been overcome partially by using a prosthesis whose stem surface allows direct attachment without an interposed soft tissue layer. Such surfaces include micropore surfaces that allow attachment via ingrowth and/or attachment of bone, and ceramic surfaces that allow actual bonding of bone. Following surgical implantation of the stem, the surrounding bone tissue gradually forms a biological fixation matrix with the stem surface by tissue growth into or onto the surface. Because of the stronger interface between the bone and the stem, which allows a relatively large force per unit area without

loosening, problems of late loosening and detachment are largely avoided and the force transfer area can be made smaller.

A limitation of the biological-fixation bonding approach, however, is the need to keep the prosthesis mechanically fixed with respect to the bone over a 2-3 month post-operative period, during which the biological fixation is occurring. If relative movement between the implant stem and bone is allowed to occur before biological fixation is complete, a fibrous tissue layer which acts to prevent good biological fixation develops at the interface and eventual progression to gross loosening is likely.

Another shortcoming resulting from bone replacement surgeries, particularly joint replacement procedures, is a phenomenon known as wear particle bone lysis. The replacement of a joint, including the installation of a polyethylene or similar high molecular weight synthetic wear surface, results over time in particles becoming dislodged from the wear surface due to friction between the joint sections during movement. These wear particles tend to move with fluid transfer along the interface between the prosthesis and the surrounding soft tissue, and also tend to enter the intramedullary space between the prosthesis stem and the surrounding remaining bone portion. The biological reaction to these small wear particles causes the surrounding bone tissue to be lysed, thereby weakening the bone and potentially causing subsequent bone failure. Thus, a means for sealing the intramedullary space from the exterior space could largely reduce this difficulty.

Prosthetic devices having spring-loaded mechanisms for holding a joint-replacement prosthesis against a planar surface of the bone, to immobilize the prosthesis on the bone, have been proposed, e.g., in the related field of joint replacements, such as in U.S. Pat. No. 4,129,903. Devices of this type solve some of the above-noted problems associated with prosthesis attachment to the bone, in that the prosthesis is held against the bone under relatively constant tension in the post-operative period, with or without provision for biological fixation. Nonetheless, limited movement may occur when the major loading stresses (in the principal direction of weight transfer on the joint) are not normal to the plane of the interface between the bone and prosthetic device and it is necessary to rely on a grouting compound to prevent shear motions. Further, such devices use a rigid stem or shaft for anchoring the implant to the bone traversed by the stem from physiologic shear, rocking, and/or axial rotation stresses.

Each of these potential problems may limit physical activity and long-term durability prognosis for long segmental replacement arthroplasty patients. Thus, current methods may potentially result in repeat surgeries which leave less bone stock and may eventually require amputation or other undesirable salvage procedures.

For the above reasons, it is desirable to provide a segmental bone replacement device which enhances a stable biologic fixation, yet allows for physiologic cyclic load transfer to the device-bone interface. It is also desirable to provide a device which promotes osteogenesis into those surfaces adjacent to the osteotomy.

SUMMARY OF THE INVENTION

The present invention provides a tibial tray assembly for attaching within a cavity formed in a tibia. The tibial tray assembly includes a main body, an anchor, and a compliant portion disposed between the main body and the anchor. The main body includes a tibial tray that is operable to engage a

prepared tibia surface. The anchor is operable to be retained within the cavity formed in the tibia and includes an attachment mechanism located within the cavity and operable to fixedly attach the anchor within the cavity formed within the tibia. The compliant portion disposed between the main body and the anchor is operable to be expanded and contracted.

The present invention provides a biocompatible bone attachment assembly which is a connector or segment replacing a section of a long bone diaphysis, such as the remaining portion of a resected femur. The assembly includes at least a biocompatible bone attachment device which is secured to a first remaining bone portion and may be connected to an opposing orthopedic appliance or a transcutaneous bar. The attachment device and the orthopedic appliance or transcutaneous bar may be secured in an adjacent relation by a suitable securing means.

Compliant fixation is a significant advance in this field because it provides compliance of fixation force which maintains compression of the implanted device at the device-bone interface while allowing axial compression or elongation of the remaining bone portion. In addition, compliant fixation provides excursion in that it allows compensation for loosening of the implant device following installation to accommodate settling of the implant device against the bone. In the use of compliant fixation devices, the implant is constructed to be more compliant than the surrounding bone, that is, the spring constant of the implant is by design less than the spring constant of the bone with regard to any or all of bending, torsion and axial compression.

A bone attachment device of the present invention includes a main body having an interface surface for abutting against an interface surface of a remaining bone portion. The device further includes means for anchoring the bone attachment device within an enlarged cylindrical intramedullary cavity of the remaining bone portion. This is preferably provided as an anchor body which is secured within the enlarged intramedullary cavity through one or more transverse pins or interlocking screws which engage both the anchor body and the surrounding bone.

The bone attachment device further includes compliant means for attaching the main body to the means for anchoring the bone attachment device. This preferably includes a compliant connecting rod which extends from the anchor body through the osteotomy surface.

The means for attaching the main body to the means for anchoring the bone attachment device may also include a supplemental means for biasing the connecting rod against the main body. This is preferably provided as a supplemental interposed compliant device disposed in communication with both the connecting rod and the main body, which is most preferably one or more washer springs secured upon the connecting rod against a surface or recess of the main body by a retaining means.

The device may further include one or more means for enhancing a fluid seal of the intramedullary cavity from the external environment, which may be provided as one or more O-rings or similar sealing members disposed at one or more suitable locations upon or within the main body.

The present invention may further include a reaming device for creating an enlarged cylindrical intramedullary cavity within the first remaining bone portion. The reaming device is operated by connection to a drilling device, such as a hand drill.

The present invention may further include a guide device for guiding an aperture-forming procedure upon the remain-

ing bone portion. The guide device is operable to be assembled onto a protruding portion of an integrated connecting rod and anchor body above the osteotomy surface.

The present invention may further include a milling device for shaping the osteotomy surface in a preselected geometry. The milling device is also operated by connection to a hand drill.

In the method of the present invention, a bone is resected to yield at least a first remaining bone portion. A cylindrical intramedullary cavity is then created to a preselected depth, through the use of a reaming device as described herein, which cavity is suitable for receiving the bone attachment device of the present invention.

Means for anchoring the bone attachment device, such as an anchor body, or an integrated connecting rod and anchor body, followed by means for attaching the main body to the means for anchoring the bone attachment device, such as a connecting rod, is inserted into the cavity. A guide device, as described herein, is attached to the inserted connecting rod at its protrusion from the osteotomy surface, and is adjusted to guide an aperture-forming procedure upon the first remaining bone portion. Thereafter, the anchor body is engaged against the surrounding bone by the insertion of one or more engagement devices, such as transverse pins or interlocking screws, through the apertures previously created with the assistance of the guide device. The osteotomy surface of the first remaining bone portion is milled in a preselected geometry for promoting bone ingrowth, through the use of a milling device as described herein. The main body is then slipped into position on the end of the bone. Anti-rotation pins are drilled and inserted. One or more supplemental interposed compliant devices, which is preferably one or more washer springs, may then be positioned upon the connecting rod, and enhanced in a secured relation upon the connecting rod through the use of one or more devices, such as a nut and a lock nut. One or more fluid seal means may also be positioned upon the opening between the connecting rod and the main body, within a recess of the main body, or upon the exterior of the main body.

The above steps may be repeated with respect to an opposing remaining portion of the bone, for connection to the bone attachment device through an interposed orthopedic appliance. A means for enhancing a secured relation, such as a sleeve clamp, may then be positioned about the main body and an opposing member which is an opposing orthopedic appliance or a transcutaneous bar.

The present invention also provides a bone attachment assembly which may be a connector or segment replacing a section of bone, such as a long bone diaphysis or a proximal femur, or may also be a primary bone replacement or a knee or other joint replacement. The assembly includes a main body having an interface surface for abutting against an abutment surface of a first remaining bone portion. The assembly also includes means for anchoring the bone attachment assembly in a substantially stationary position within a cavity located within the first remaining bone portion. This cavity may be a natural intramedullary canal, an enlarged intramedullary canal or a cavity created through the bone at any suitable location. The assembly further includes a compliant section that is preferably integrally formed between the main body and the means for anchoring the bone attachment assembly. The compliant section is operable for being converted to a preselected condition of expansion. The present invention also includes a method for implanting the bone attachment assembly.

The present invention also provides a sleeve disposed upon a compliant section of bone attachment assembly. This

sleeve is operable for inhibiting deflection of the compliant section in a non-axial direction during expansion or contraction of the compliant section associated with physiologic loading. The sleeve may preferably be integrally formed with the main body of the device. The present invention also discloses different configurations for the main body and an anchor body that is connected to the main body. Specifically, the anchor body may be secured across the surrounding bone cortex through pins or screws or may alternately include a cylindrical or tapered, self-tapping threaded section for being threaded directly into the bone. The present invention also discloses a compliant section that is integrally formed with the anchor body. Connection of the anchor body and compliant section to another component such as a tibial tray is also contemplated. The compliant section is expanded by force exerted by the anchor body in a direction away from the main body and force applied against the main body in an opposite direction by various traction-applying means, such as a rod integrally formed with the compliant section or threadably secured to the compliant section, and secured with respect to the main body. In addition, instruments are shown and described in accordance with the method of the present invention which involves reaming an intramedullary cavity of a remaining bone portion to an enlarged condition, parallel cross-pinning or threadably securing an anchor body and compliant section within the cavity, positioning the main body upon the anchor body and applying traction through various means to the compliant section.

Accordingly, it is a general object of the present invention to provide a method and apparatus for segmental bone replacement, for primary bone replacement or for a knee or other joint replacement. A related object of the present invention is to provide a method and apparatus for such bone replacement which enhances a biological and mechanical attachment of a bone attachment assembly to a remaining bone portion.

A further object of the present invention is to provide a method and apparatus for segmental bone replacement which allows for physiologic cyclic load transfer to the apparatus-bone interface.

An additional object of the present invention is to provide a method and apparatus for segmental bone replacement which promotes osteogenesis into those surfaces adjacent to the osteotomy.

A further object of the present invention is to provide a method and apparatus for reducing access of wear particles from joint replacements from entering the intramedullary space of a bone following resection.

An additional object of the present invention is to reduce resorption of bone adjacent to an installed bone attachment device.

An additional object of the present invention is to introduce a precision complex technique in such a way that it can be adapted to routine surgical practice.

Additional objects, advantages, and features of the present invention will become apparent from the following description and appended claims, taken in conjunction with the accompanying drawings.

BRIEF DESCRIPTION OF THE DRAWINGS

The various advantages of the present invention will become apparent from the following specification and appended claims by reference to the following drawings in which:

FIG. 1 is a partial cut-away view illustrating the environment of the device of the present invention in connection with a remaining bone portion following resection;

FIG. 2 is an enlarged cross-sectional view illustrating a bone attachment device as it is secured within a remaining bone portion following resection;

FIG. 3 is a cross-sectional view illustrating one embodiment of an anchor body secured within a cavity of remaining bone portion;

FIG. 4 is a cross-sectional view illustrating the upper compliant portion of the bone attachment device of the present invention;

FIG. 5 is a top view illustrating a portion of the device shown in FIG. 4, taken from the perspective 5—5 in FIG. 4;

FIG. 6 is a bottom view illustrating the compliant section of the bone attachment device of the present invention, taken from a perspective 6—6 in FIG. 4;

FIG. 7 is a cross-sectional view illustrating a bone attachment assembly of the present invention which includes fluid sealing means for reducing access of wear particles;

FIG. 8 is a perspective view illustrating a guide device for creating one or more apertures within a remaining bone portion for accepting one or more engagement means;

FIG. 9 is a side view illustrating a self-centering drill bit of the present invention;

FIG. 10 is a partial cut-away view illustrating a milling device used for milling the osteotomy surface in a preselected geometry;

FIG. 11 is a partial cut-away view illustrating a milling device used for milling the osteotomy surface in a preselected geometry;

FIG. 12 is a cross-sectional view illustrating a bone attachment device in conjunction with an orthopedic appliance;

FIG. 13 is a cross-sectional view illustrating a transcatheter bar connected to a device of the present invention;

FIG. 14 is a perspective view illustrating a reaming device of the present invention;

FIG. 15 is an elevational view with partial breakaway illustrating the environment of a second embodiment of the bone attachment assembly of the present invention in an implanted condition in connection with a remaining bone portion following resection;

FIG. 16 is an elevational view with partial breakaway illustrating a second embodiment of bone attachment assembly of the present invention, prior to preloading the assembly;

FIG. 17 is an elevational view with partial breakaway illustrating the bone attachment assembly shown in FIG. 16, during preloading of the assembly;

FIG. 18 is an elevational view with partial breakaway illustrating the environment of a second embodiment of the bone attachment assembly of the present invention from a perspective 90° removed from that shown in FIGS. 15 through 17, in a preloaded implanted condition in connection with a proximal femur prosthesis;

FIG. 19 is an elevational view with partial breakaway illustrating another version of a second embodiment of the bone attachment assembly of the present invention, prior to preloading;

FIG. 20 is an end view illustrating the bone attachment assembly shown in FIG. 19;

FIG. 21 is an elevational view with partial breakaway illustrating the bone attachment assembly shown in FIGS. 19 and 20 in a preloaded condition;

FIG. 22 is a side cross-sectional view illustrating the version of the second embodiment of the bone attachment

assembly of the present invention shown in FIGS. 19 through 21 in an implanted condition in connection with a primary hip prosthesis;

FIG. 23 is a side elevational view illustrating the bone attachment assembly of the present invention shown in FIG. 22 from a perspective 90° removed from that shown in FIG. 22;

FIG. 24 is an elevational view illustrating another version of the second embodiment of the present invention;

FIG. 25 is a top view of the version of apparatus shown in FIG. 24;

FIG. 26 is an elevational view in partial breakaway illustrating another version of the second embodiment of bone attachment assembly of the present invention, in modular form;

FIG. 27 is an elevational view illustrating a first version of a third embodiment of bone attachment assembly of the present invention, including a main body and an anchor body with integral compliant section, in exploded form;

FIG. 28 is a top view illustrating the main body component of the bone attachment assembly shown in FIG. 27;

FIG. 29 is a side view of an anchor body with integral compliant section, from an angle 90° removed from the angle shown in FIG. 27;

FIG. 30 is a partial cross-sectional view illustrating insertion of a compliant section of the bone attachment assembly within a sleeve formed as part of the main body shown in FIG. 27;

FIG. 31 is a partial cross-sectional view illustrating a main body with integral sleeve and anchor body with integral compliant section, disposed upon and within a remaining bone portion, with the anchor body secured to the surrounding bone cortex prior to the application of traction to the compliant section;

FIG. 32 is an elevational view in exploded form illustrating a second version of the third embodiment of the present invention, including a main body and anchor body with integral compliant section, in modular form;

FIG. 33 is a partial cross-sectional view illustrating the components shown in FIG. 32, in assembled form and disposed within a remaining bone portion, with secured anchor, with traction applied to the compliant section, and with an intercalary segment attached thereto;

FIGS. 34, 35 and 36 are perspective views illustrating three different sizes of an alternative configuration of anchor body and integral compliant section, each having a tapered, self-tapping threaded section;

FIG. 37 is a bottom perspective view illustrating the cutting thread configuration for any of the anchor bodies shown in FIGS. 34, 35 or 36;

FIG. 38 is a perspective view illustrating a configuration of screw used for securing a main body to a compliant section integrally formed with an anchor body;

FIG. 39 is a partial cross-sectional view illustrating a main body attached through the use of the screw shown in FIG. 38 to a tapered threaded anchor body and integral compliant section disposed within a remaining bone portion;

FIG. 40 is a partial cross-sectional view illustrating the attachment of a tibial tray to an compliant section and integral threaded anchor body;

FIGS. 41, 42 and 43 are perspective views illustrating three different sizes of specially-shaped tapered reamers for use in enlarging the intramedullary canal of a remaining bone portion for the insertion of any of the tapered threaded anchors shown in FIGS. 34, 35 or 36;

FIG. 44 is a partial cross-sectional view illustrating the use of a tapered reamer for enlarging the intramedullary canal of a remaining bone portion;

FIG. 45 is a partial cross-sectional view illustrating use of an anchor inserter and threaded rod assembly for accomplishing the insertion of a threaded anchor within a prepared intramedullary cavity of a remaining bone portion;

FIG. 46 is a partial cross-sectional view illustrating the use of a guide device for drilling apertures through the cortex of a remaining bone portion within which an anchor body of the cross-secured type is being installed;

FIG. 47 is a partial cross-sectional view illustrating the use of a face reamer for milling an interface surface of a remaining bone portion to a predetermined angle;

FIG. 48 is a cross-sectional view illustrating another version of bone attachment assembly of the present invention, having a convexly exteriorly shaped main body shoulder portion;

FIG. 49 is an alternative version of the bone attachment assembly shown in FIG. 48;

FIG. 50 is an alternative version of the bone attachment assembly shown in FIGS. 48 and 49, with a sleeve disposed for inhibiting nonaxial relative displacement of the compliant section and main body;

FIG. 51 shows the version of bone attachment assembly shown in FIG. 48, installed within a proximal femur; and

FIG. 52 is a partial cross-sectional view of a non-coaxial version of bone attachment assembly.

DETAILED DESCRIPTION OF THE INVENTION

It should be understood that while this invention is described in connection with particular examples, the scope of the invention need not be so limited. Rather, those skilled in the art will appreciate that the following teachings can be used in a much wider variety of applications than the examples specifically mentioned herein.

Referring now to FIG. 1, there is shown a bone assembly 10, which includes a first remaining bone portion 12 and a second portion 14, as is the case involving a mid-diaphyseal segment replacement. The second portion 14 may be an orthopedic appliance, an orthopedic appliance connected to a second remaining bone portion, or may be replaced by a transcutaneous bar suitable for the attachment of an external appliance, as will be discussed below. The second remaining bone portion may be a portion of the same bone as the first remaining bone portion, or may be a portion of another bone.

The first remaining bone portion 12 is shown to include a first intramedullary cavity 16, which is preferably an enlarged longitudinal cylindrically-shaped bore created to a preselected depth from the osteotomy surface. The first intramedullary cavity 16 may substantially coincide in its longitudinal axis with the natural intramedullary canal of the bone. In those situations where the second portion 14 is in the form of an orthopedic appliance connected to a second remaining bone portion, the second remaining bone portion may similarly include a second intramedullary cavity (not shown), which may preferably be substantially similar in size and shape to the first intramedullary cavity 16. Also, the means of connecting the second remaining bone portion may be entirely different from this arrangement, including the use of bone cement or other suitable materials.

Disposed as a part of the bone assembly 10 is a biocompatible bone attachment assembly, shown generally at 18. The bone attachment assembly 18, in a preferred

embodiment, includes a first bone attachment device 20, which is located about the first remaining bone portion 12. The first bone attachment device 20 may be secured to the second portion 14 through the use of a clamp 76, which is preferably of a type discussed below in connection with FIGS. 5 and 6. The bone attachment assembly 18 may also further include a second bone attachment device (not shown) located about the second portion 14, in the situation where the second portion 14 is a second remaining bone portion.

Referring now to FIG. 2, the first bone attachment device 20 is described in greater detail. FIG. 2 is an enlarged cross-sectional view illustrating a bone attachment device 20 as it is secured within the first remaining bone portion 12. The first bone attachment device 20 is shown to include a main body 22 which is constructed of a suitable biocompatible material. Examples of suitable materials are titanium alloys such as Ti-6Al-4V, CoCr (cobalt chromium) alloys and commercially pure titanium. Other suitable materials may be used. It is preferred that the components of the bone attachment assembly 18 be constructed of the same material. Preferably, the main body 22 is substantially cylindrically-shaped, and may include a shoulder portion 24, at least one pin channel 26 and a longitudinal bore 28. The main body 22 is preferably operable to be positioned upon a milled end portion 30 of the first remaining bone portion 12. It will be appreciated that the main body 22 will replace a portion of the length of bone being removed during the surgical procedure, by virtue of its position upon the milled end portion 30.

The milled end portion 30 is created in a preselected geometry relative to the cylindrically-shaped first intramedullary cavity 16. Preferably, as shown in FIG. 2, the milled end portion 30 is formed to an axisymmetric geometry, and most preferably to a convex conical geometry, whose cross-section has a preselected included angle of inclination relative to the longitudinal axis in the direction of the first remaining bone portion 12. Other preselected geometries and angles may also be used. The main body 22 includes an interface surface 32 which is most preferably constructed to substantially match the geometry of the milled end portion 30, thereby providing a substantially flush interface between the milled end portion 30 and the interface surface 32. As such, the interface surface 32 may also be created in an axisymmetric or concave conical geometry, or in another suitable geometry. The interface surface 32 is preferably operable for accepting biological bone attachment by bone ingrowth and/or ongrowth.

The main body 22 is shown to preferably include a cannulated stem portion 34, which is preferably in the form of a single unitary structure. The cannulated stem portion 34 may be of a substantially cylindrical shape, as shown in FIG. 1, or may be tapered along its length at one of several selected major and minor diameter configurations, depending upon the diameter of the original natural intramedullary canal of the bone and also upon the extent of reaming required in forming the first intramedullary cavity 16. Preferably, the major diameter of the cannulated stem portion 34 is represented by a cylindrical portion of the stem, which may fit with reduced lateral movement against the walls defining the first intramedullary cavity 16. As shown in FIG. 2, the cannulated stem portion 34 may occupy a substantial length of the first intramedullary cavity 16. The cannulated stem 34 may be made from the same selection of materials as the main body 22. The cannulated stem portion 34 also includes a longitudinal bore 36 that is coaxial with the longitudinal bore 28 disposed through the main body 22. Preferably, the longitudinal bore 28 and the longitudinal

bore 36 are substantially identical in diameter and are relatively positioned so as to form a single continuous bore.

The first bone attachment device 20 further includes means for anchoring the device in an enhanced stationary position within the first intramedullary cavity 16. The means for anchoring the first bone attachment device is shown to be in the form of an anchor body 38 which is located within the first intramedullary cavity 16 at its distal end. The anchor body 38 may be made from the same material as the main body 22. The anchor body 38 includes one or more apertures 40 that are operable for accepting the insertion of one or more fixation devices. The apertures 40 may preferably be a plurality of staggered apertures of substantially the same preselected diameter. One possible staggered arrangement for the apertures 40 is the arrangement shown in FIG. 1. It will be appreciated, however, that any suitable arrangement for the apertures 40 may be used, including those wherein the apertures 40 are in perpendicular or other non-parallel arrangements.

To provide a passageway for the insertion of suitable fixation devices to engage the anchor body 38, one or more fixation bores 42 are provided through the first remaining bone portion 12. The fixation bores 42 are preferably sized and located to substantially match the size and location of the apertures 40 upon the anchor body 38. As such, the fixation bores 42 may also preferably be disposed as a plurality of staggered bores created through the first remaining bone portion 12.

The first bone attachment device 20 also includes one or more engagement devices that are operable to provide an engagement between the anchor body 38 and the first remaining bone portion 12, so as to enhance a substantially secured relation of the anchor body 38 within the first intramedullary cavity 16. In one embodiment, the selection of engagement device is one or more transverse pins 44 which traverse one or more fixation bores 42 on at least one side of the anchor body 38, and also traverse one or more apertures 40 disposed across the anchor body 38. Most preferably, a plurality of transverse pins are used in the same preselected staggered arrangement as the apertures 40 and the fixation bores 42. The transverse pins 44 may be disposed in a substantially parallel relation, as shown. It will be appreciated, however, that the transverse pins 44 may be disposed perpendicularly, or at other preselected relative angles.

The selection of engagement device may also be one or more of interlocking screws 46, as is shown in FIG. 3. FIG. 3 is a cross-sectional view illustrating one embodiment of an anchor body 38 secured within the intramedullary cavity of a remaining bone portion. The interlocking screws 46, like the transverse pins 44, preferably traverse one or more apertures 40 and one or more fixation bores 42. The interlocking screws 46 may be threaded from one side of the first remaining bone portion 12, or may alternatively be threaded from opposite sides. The interlocking screws 46 may also be disposed perpendicularly, or at other preselected relative angles. As before, the interlocking screws 46 may be disposed in a staggered arrangement so as to enhance the stability of the anchor body 38 within the first intramedullary cavity 16. The transverse pins 44 and interlocking screws 46 may both be made from the same materials as the main body 22.

Referring again to FIG. 2, the first bone attachment device 20 is further shown to include means for attaching the main body 22 to the means for anchoring the bone attachment device 20. The means for attaching the main body 22 is

provided in the form of a cylindrically-shaped connecting rod 48 that is sized to traverse the longitudinal bore 36 of the cannulated stem 34 and the longitudinal bore 28 of the main body 22, while moving freely longitudinally without substantial restriction from engagement with the cannulated stem portion 34 and the main body 22. The connecting rod 48 may be made from the same material as the main body 22. The connecting rod 48 is operable to be inserted through the main body 22 and the cannulated stem portion 34 to an engagement with the anchor body 38, such that the connecting rod 48 extends from the anchor body 38 through the milled end portion 30. The connecting rod 48 also includes a lower threaded portion 50 that is operable to engage a correspondingly threaded bore 52 located in the upper portion of the anchor body 38. The connecting rod 48 may also be conveniently threaded over its entire length. The connecting rod 48 has a degree of compliancy relative to bone in its construction, such that its disposition alone between the main body 22 and the anchor body 38 provides a compliant fixation between the main body 22 and the anchor body 38.

As shown in FIG. 3, the means for attaching the main body 22 to the means for anchoring the biocompatible bone attachment device 22 may be provided as a connecting rod 48 that is an integral extension of the anchor body 38. As such, the connecting rod 48 also extends from the anchor body 38 through the milled end portion 30.

Referring now to FIG. 4, the means for attaching the main body 22 to the means for anchoring the first bone attachment device 20 may also further include a supplemental interposed compliant device for enhancing the compliance of the bone attachment assembly 18. The supplemental interposed compliant device operates by biasing the connecting rod 48 against the main body 22. FIG. 4 is an enlarged cross-sectional view illustrating a portion of the first bone attachment device 20 of the present invention. The supplemental interposed compliant device may be contained within a cylindrically-shaped recess 54 located atop the main body 22, or may also be operable to abut against another suitable surface of the main body 22. In some arrangements, the supplemental interposed compliant device may project partially from within the recess 54. The supplemental interposed compliant device preferably includes one or more washer springs 56 positioned about the upper portion of the connecting rod 48. As shown in FIG. 4, a plurality of washer springs 56 may be oriented in adjacently opposite directions upon the connecting rod 48. It will be appreciated that other suitable biasing arrangements may be used.

The washer springs 56 may be made from the same materials as the main body 22 set forth above, or may also be made from a nickel-titanium alloy, such as nitinol. The use of nitinol as a material selection for the washer springs 56 tends to reduce the number of individual spring members required. The washer springs 56 may be replaced, however, by at least one compressible elastic cylinder made from a material selected from the group consisting of plastics and polymers. A suitable selection for an elastic cylinder material is polyurethane.

In order to secure the washer springs 56 in a biasing relationship between the main body 22 and the connecting rod 48, a spring biasing means is provided. The spring biasing means may serve the double function of locking means, which may be a lock nut 58 which may be advanced upon an upper threaded portion 60 of the connecting rod 48 at least until it contacts the supplemental interposed compliant device. The lock nut 58 may be made from the same material as the main body 22. The lock nut 58 may be further

advanced upon the connecting rod 48 to compress the spring means to a desired degree. Preferably, the lock nut 58 is advanced upon the connecting rod 48 so as to compress the washer springs 56 until increased resistance is noted. This may occur at above about 75% compression, and may preferably occur at about 90% compression. A gap 62 located across the lock nut 58 may be suitably closed to enhance a substantially secured position of the lock nut 58 upon the upper threaded portion 60 of the connecting rod 48, thereby securing the washer springs 56 within the recess 54, and thereby providing a supplemental biasing arrangement between the connecting rod 48 and the main body 22. As such, the first bone attachment device 20 is in an enhanced compliantly attached arrangement.

The lock nut 58 is provided with retention means for enhancing the substantially secured relation of the lock nut 58. The retention means is shown in the form of a retention screw 64 which is operable to traverse a correspondingly threaded receiving hole disposed across the lock nut 58 on either side of the gap 62. The retention screw 64 is operable to be threadably tightened to close the gap 62 to the point where the lock nut 58 is enhanced in a substantially secured relation against the upper threaded portion 60 of the connecting rod 48. The relative positions of the lock nut 58, the washer springs 56 and the recess 54 are illustrated in FIG. 5, which is a top view illustrating a portion of the bone attachment device shown in FIG. 4, taken from the perspective 5—5 in FIG. 4. It will be appreciated that other suitable spring biasing means and retention means may be used. For example, a nut without a gap followed by a lock nut may be used. A lock wire disposed through a hole in a nut is also suitable as a locking means for the spring biasing means.

The spring biasing means may also be provided as a combination of a nut without a gap, followed by means for enhancing a secured relation of the nut upon the connecting rod. This may be provided as a lock nut, as previously described, or may be provided in another suitable form, such as a lock wire disposed through an aperture of the nut.

Referring again to FIG. 4, the first bone attachment device 20 may also be provided with a porous interface coating 66 located upon the interface surface 32. The porous interface coating 66 may be applied by any suitable technique and is for enhancing bone ingrowth into the first bone attachment device 20 from an adjacently positioned milled end portion of a bone, such as that shown at 30 in FIG. 2. The porous interface coating 66 may be made from varieties of the same material as the main body 22, or may also be CoCr (cobalt chromium) beads of diameter approximately $20/1000$ ths of an inch, sintered together, or a pressed and sintered multiple layer wire grid of titanium alloy wires, or a pressed and sintered coarse wire of one of the above materials, or a plasma sprayed titanium. The porous interface coating 66 may also include a hydroxyapatite layer in conjunction with any of the above material layers.

With reference again to FIG. 4, the first bone attachment device 20 may be provided with one or more antirotation pins 68 which are disposed within the pin channel 26 and protrude from the interface surface 32 in the region where the main body 22 contacts an adjacently positioned milled end portion of a bone, such as that shown at 30 in FIG. 2. Referring now to FIG. 6, which is a bottom view illustrating the compliant section of the bone fixation device, taken from a perspective 6—6 in FIG. 4, it can be seen that a plurality of antirotation pins 68 are disposed in a substantially equally spaced circular arrangement about the central axis of the longitudinal bore 28. It will be appreciated that any suitable number of antirotation pins 68 may be employed. Usually, at

least one, up to about twelve antirotation pins 68 will be most practical. The preferred length of projection, above the interface surface 32, of each antirotation pin 68 is less than four times the diameter of each pin. The antirotation pins 68 may be made from the same material as the main body 22.

In the situation where only a mid-diaphyseal segment replacement is performed, the second portion 14 discussed in connection with FIG. 1 may in part take on a substantially similar construction as the first remaining bone portion 12. Thus, a bone attachment assembly 18 may be formed from two substantially identically constructed bone attachment devices. Alternatively, the second portion 14 may be provided entirely as an orthopedic appliance. Alternatively, the resection could include adjacent portions of two end-on-end disposed long bones, such that the two attachment assemblies and an interposed orthopedic appliance would serve to restore physiologic linkage between the two long bones. In this way, the two long bones could also be functionally fused, according to the selected interposed orthopedic appliance.

In this situation, a second bone attachment device (not shown) may be provided to be substantially similar to the first bone attachment device 20. It may also be substantially different, for example, attached to its receiving surface with bone cement. With reference now to FIG. 7, FIG. 7 illustrates a bone attachment assembly, indicated generally at 18. The bone attachment assembly 18 is shown to include a first bone attachment device 20 which is fixedly secured to a first remaining bone portion 12, in the manner previously described. The first bone attachment device 20 may then be connected through the use of a clamp 76 to a second portion 14 which is in the form of an orthopedic appliance. The orthopedic appliance may then be similarly connected to a second bone attachment device in a similar manner. In this arrangement, the first bone attachment device 20 acts as a connector, in addition to the orthopedic appliance, which may replace a portion of the length of bone removed during the surgical procedure. In this arrangement, the first bone attachment device 20 and the second bone attachment device are each provided with a compliant capability.

The biocompatible bone attachment assembly 18 is also shown to include means for enhancing a fluid seal between the intramedullary cavity 16 and the external environment. Preferably, this is provided as one or more sealing devices, such as O-rings 70 and 72, which are disposed in a contacting relation with the main body 22 or the connecting rod 48. As such, the O-rings 70 and 72 may be disposed about the edge of the main body 22, within a recess 74 created at the lower surface of the main body 22 adjacent to the connecting rod 48, as shown in FIG. 7, or may be disposed upon other suitable regions of the main body 22. The O-rings 70 and 72 may thus also be disposed about the lock nut 58 or the washer springs 56.

When one or more O-rings 70 and 72 are used, they may enhance a sealed condition of the first bone attachment device 20 as connected to an orthopedic appliance, such as that shown at 14 in FIG. 1. Multiple sealing devices may sequentially reinforce a seal of the first bone attachment device 20 at the entrance to the recess 54 and the entrance to the longitudinal bore 28.

The bone attachment assembly 18 further includes means for securing the first bone attachment device 20 in an enhanced secured relation to the second portion 14 which may be an orthopedic appliance, as shown in FIGS. 1, 4 and 7. This is preferably provided as a clamp which is operable to substantially surround a portion of the main body 22 of

15

the first bone attachment device **20** and a portion of the opposing orthopedic appliance, or second portion **14**. One particularly preferred type of clamp is a cylindrically-shaped sleeve clamp **76** which is operable for being enhanced in a secured relation. As shown in FIGS. **5** and **6**, the sleeve clamp **76** includes an aperture **78** that is operable to be closed through the threaded rotation of one or more retention screws **80**. The sleeve clamp **76** may be made from the same material as the main body **22**. It will be appreciated that other suitable means for coupling the first bone attachment device **20** and the second portion **14** may also be used.

The first bone attachment device **20** may also include means for preventing rotation of the sleeve clamp **76** with respect to the main body **22** and the orthopedic appliance **14**. This is preferably provided as a key **82** disposed in an engaging relation between the sleeve clamp **76** and the main body **22**, as shown in FIG. **5**. It will be appreciated that this may be provided by any suitable device disposed between the sleeve clamp **76**, the main body **22** and the orthopedic appliance **14**.

Referring now to FIG. **8**, FIG. **8** is a perspective view illustrating a guide device which can be temporarily applied for creating one or more apertures in the first remaining bone portion for accepting one or more engagement means, such as the transverse pins **44** or interlocking screws **46** shown in FIGS. **2** and **3**. The guide device, shown generally at **84**, is operable to be attached to a means for anchoring a bone attachment assembly, such as the anchor body **38**. The guide device **84** is made from aluminum, a titanium alloy, or preferably, stainless steel. It will be appreciated that other suitable materials may be used. The guide device **84** includes a guide body **86** that is preferably of length at least equal to the total, combined length of the connecting rod **48** and the anchor body **38**.

The guide device **84** is shown to include a guide body **86** operable for being disposed adjacent to the first remaining bone portion **12**. The guide body **86** includes an upper connecting aperture **88** and a locking screw **90** that is operable for closing the connecting aperture **88**. The guide body **86** also includes one or more guide holes **92** for guiding an aperture-forming procedure by accepting the insertion of both alignment devices and drilling implements, as will be discussed below.

The guide device **84** also includes a cannulated holder bar **94** that is operable for being positioned upon the anchor body **38** and connecting rod **48** within the first intramedullary cavity **16** in a coaxial relationship. The holder bar **94** is preferably positioned so as to abut against the top of the anchor body **38**. The holder bar **94** is of preselected length and configuration to match the dimensions of the reamed first intramedullary cavity **16**. As such, the length of the holder bar **94** is preferably sufficient to protrude from the osteotomy surface, yet is short enough to allow the holder bar **94** to be substantially secured to the connecting rod **48** by a nut **96** threaded onto the connecting rod **48** substantially against the upper surface of the holder bar **94**. The holder bar **94** may be of cylindrical shape, and may include a tapered section **98** disposed between a large section **100** having a major diameter and a small section **102** having a minor diameter. The large section **100** is preferably operable to fit with reduced lateral movement against the walls defining the first intramedullary cavity **16**, so as to serve as a means for establishing a precise coaxial position of the anchoring means within the first intramedullary cavity **16**. One or more other suitable surface irregularities on the holder bar **94** may serve as a means for establishing a precise depth of insertion.

The guide device **84** is also shown to include a positioning bar **104** operable for being mounted between the holder bar

16

94 and the guide body **86**. The positioning bar **104** includes a connecting aperture **106** that is operable for engaging a portion of the holder bar **94**. The positioning bar **104** also includes a locking screw **108** for closing the connecting aperture **106** so as to enhance a secured relation between the holder bar **94** and the positioning bar **104**. The positioning bar **104** is preferably sized so as to engage the upper connecting aperture **88** of the guide body **86**, such that the tightening of the locking screw **90** enhances a secured relation between the positioning bar **104** and the guide body **86**. It will be appreciated that the various components of the guide device **84** described above are relatively manipulable and may thus be independently adjusted and set for each particular aperture-forming procedure upon each particular first remaining bone portion **12**. The guide device **84** is preferably set to provide one or more guide holes **92** in substantial alignment with one or more apertures **40** disposed within the anchor body **38**, so that a drilling procedure directed through one or more guide holes **92** may result in the proper formation of the fixation bores **42** shown in FIGS. **2** and **3**.

As shown in FIGS. **8** and **9**, the present invention also contemplates the use of one or more self-centering drill bits **112** as especially suitable for creating at least one fixation bore **42** by being inserted through each of the guide holes **92** and directed toward the outer surface of the first remaining bone portion **12**. The self-centering drill bit **112** is known in the machine tool industry, and is shown to include a main bit portion **114** and a centering bit portion **116** protruding beyond the main bit portion **114** for drilling a centering hole which guides the drilling operation of the main bit portion **114**. The drill bit **112** also includes a drill attachment portion **118** operable for attaching directly to a drilling device (not shown), such as a conventional hand drill. This procedure may also be performed with a standard drill bit (not shown).

Referring now to FIG. **10**, FIG. **10** is a partial cut away view illustrating a milling device, shown generally at **120**, for milling the osteotomy surface of a first remaining bone portion **12** in a preselected geometry to be coaxial with a first bone attachment device **20**. The milling device **120** is shown to include a milling body **122** having a cutting edge **124** of preselected geometry. The preselected geometry of the cutting edge **124** may preferably be such that it creates a conical shape, and more preferably creates a convex conical shape. The milling device **120** further includes means for positioning the milling body **120** upon an osteotomy surface of a first remaining bone portion **12** in a coaxial relationship with the first intramedullary cavity **16**. This may be provided as a cannulated pilot member **126** that is operable for being inserted into the first intramedullary cavity **16** up to an abutting relationship with the anchor body **38**. Preferably, the cannulated pilot member **126** is of a generally tapered configuration, and includes a cylindrical portion **128** having a major diameter substantially equal to the diameter of the first intramedullary cavity **16**. As such, this major diameter defines the nominal size of the cannulated stem portion **34** which is subsequently inserted into the first intramedullary cavity **16**. The cannulated pilot member **126** further includes a tip portion **130** which is operable to abut against the anchor body **38**. The cannulated pilot member **126** includes a longitudinal aperture **132** that is sized to accept the traverse of the connecting rod **48**.

The milling device **120** further includes means for positioning the milling body **122** in a coaxial relationship with the first intramedullary cavity **16**. This is provided by the cylindrical portion **128** as previously described and the connecting rod **48** in the longitudinal aperture **132**. The

milling device **120** also includes means for establishing a preselected depth for a milling procedure upon the osteotomy surface. This is provided in the form of a preselected length of the cannulated pilot member **126** from the cutting edge **124** to the tip portion **130**. This distance is preselected to be substantially equal to a desired distance from the anchor body **38** to the subsequently milled osteotomy surface. The cannulated pilot member **126** further includes a shaft portion **134** of preselected length to engage a recess **136** of preselected length within the milling body **122**. The milling body **122** may further include a means for enhancing a substantially secured relation between the milling body **122** and the cannulated pilot member **126**, such as a set screw **138**. The milling body **122** also includes a drill attachment portion **140** for attaching the milling body **122** to a drilling device, such as a conventional hand drill.

As shown in FIG. **11**, the means for positioning the milling body **122** in a coaxial relationship with the first intramedullary cavity **16**, as well as the means for establishing a preselected depth for a milling procedure can both be provided with a different cannulated pilot member **126**, and through a special configuration of the milling body **122** with respect to the connecting rod **48**. FIG. **11** is a cross-sectional view illustrating a milling device used for milling an osteotomy surface in a preselected geometry. The milling body **122** may be disposed upon the connecting rod **48** such that the connecting rod **48** extends into the recess **136**, and wherein the recess **136** is disposed in a coaxial relation to the first intramedullary cavity **16**, by way of the longitudinal aperture **132** in a truncated cannulated pilot member **127**. In this arrangement, the means for establishing a preselected depth for a milling procedure is provided by the cylindrical walls defining the recess **136** being of a preselected length substantially equal to the length of the portion of the connecting rod **48** which is greater than the desired distance from the anchor body **38** to the subsequently milled osteotomy surface.

Referring now to FIG. **12**, FIG. **12** is a cross-sectional view illustrating a first bone attachment device **20** secured in conjunction with an interposed orthopedic appliance **142**. The orthopedic appliance **142** is shown to include a plurality of recesses **144**, **146** and **148** for accommodating the insertion of one or more of the washer springs **56**, the lock nut **58** and the connecting rod **48**. In this example, it should be noted that the main body **22** is shaped somewhat differently than previously described in that the recess **54** may be substantially smaller, thereby allowing the protrusion of one or more of the above components.

Referring now to FIG. **13**, FIG. **13** is a cross-sectional view illustrating a transcutaneous bar **150** connected to a device of the present invention. The transcutaneous bar **150** is secured substantially as before by a cylindrically-shaped sleeve clamp **76**. The transcutaneous bar **150** is used in the case of amputees, wherein the skin **152** may be repaired around the transcutaneous bar **150** during the surgical procedure. The transcutaneous bar **150** is shown to include as an example a threaded portion **154** which is operable to be threadably engaged with one of several types of external appliances (not shown). The length of the transcutaneous bar **150** preferably allows sufficient length of the threaded portion **154** for a satisfactory threaded engagement with the external appliance used. The transcutaneous bar may be constructed from a material selected from the group consisting of metals and carbon fiber-reinforced resins, although it will be appreciated that other suitable materials may be used. The transcutaneous bar **150** may further be coated with a material that allows the biological attachment of soft

tissue, such as skin, and inhibits bacterial access from the external environment. This is preferably provided as a coating **156** disposed upon at least a portion of the external surface of the transcutaneous bar **150**. Preferably, the coating material is hydroxyapatite, although it will be appreciated that other suitable coating materials may be used.

Referring now to FIG. **14**, FIG. **14** is a perspective view illustrating a reaming device **158** of the present invention. The reaming device **158** is operable for creating an enlarged cylindrical intramedullary cavity, such as the first intramedullary cavity **16**, within a first remaining bone portion **12**. The reaming device **158** is shown to include a cylindrical portion **160** preferably having a plurality of cutting surfaces, and a tapered tip portion **162** disposed in communication with the cylindrical portion **160**. The tapered tip portion **162** also preferably has a plurality of cutting surfaces. The reaming device **158** also includes a drill attachment portion, which is provided as a drill attachment post **164**. The reaming device **158** is preferably a left spiral, right cutting device, made for use with standard clockwise hand drills. As such, the reaming device **158** is operable for establishing a first intramedullary cavity **16** within the first remaining bone portion **12**, is self-centering, creates a cylindrical cavity, and will not seize in the bone.

In the method of the present invention, a bone segment is replaced with a biocompatible bone attachment assembly, such as that shown at **20**. The surgical procedure, as applied to a mid-shaft osteotomy of a femur, generally involves preparing the lateral aspect of the femur for surgery with povidone iodine, and draping the limb for aseptic surgery. The lateral aspect of the femur is then approached between the muscle bellies of the biceps femoris and the vastus lateralis. Wound closure is of a routine nature to those skilled in the art.

The method includes the step of resecting the femur at a preselected location by suitable means of sawing, thereby performing a transverse osteotomy of the femur. This procedure yields a first remaining bone portion **12**. The preparation of the first remaining bone portion **12** may then be accomplished as follows. An enlarged cylindrically-shaped first intramedullary cavity **16** is formed within the first remaining bone portion **12** up to a diameter dictated by intramedullary cavity dimensions and to a preselected depth. The preselected depth is preferably sufficient to allow for the insertion of a means for anchoring the first bone attachment device **20** within the first intramedullary cavity **16** to such a depth that subsequent connection of a means for compliantly attaching the main body **22** to the first remaining bone portion **12** may protrude from the osteotomy surface.

The enlarged first intramedullary cavity is formed by attaching the reaming device **158** to a drilling device, such as a conventional hand-held power drill, henceforth denoted as a hand drill, at the drill attachment post **164**. The reaming device **158** is then inserted into the intramedullary canal. The hand drill is then activated, and the reaming device **158** is advanced in a longitudinal direction into the first remaining bone portion **12**, while the reaming device **158** is being rotated by the drilling device. This is repeated with progressively larger reamers until the reaming device **158** has clearly engaged the inner walls. A larger reamer may be used at the outlet than at the depth of the intramedullary cavity. A cylindrically-shaped enlarged first intramedullary cavity **16** as an enlargement of the natural intramedullary canal of the first remaining bone portion **12** is thus created.

The holder bar **94** of appropriate nominal diameter is first positioned upon the connecting rod **48** in an abutting relation

with the anchor body 38. A nut 96 is then advanced onto the upper threaded portion 60 of the connecting rod 48 until substantially tightened against the top surface of the holder bar 94. The positioning bar 104 is then engaged with the holder bar 94 in a substantially perpendicular relation such that the holder bar 94 passes through the connecting aperture 106. The guide body 86 is engaged with the positioning bar 104 in a substantially perpendicular relation by sliding the upper connecting aperture 88 over the positioning bar 104. The apertures 40 in the anchor body 38 are then aligned with the guide body holes 92 in the guide body 86, by way of temporary rods (not shown) traversing both the guide body holes and the anchor body holes. The locking screws 90 and 108 may then be substantially tightened, thereby enhancing a secured relation between the guide body 86 and the anchor body 38.

Once the above components of the guide device 84 are positioned and secured, the holder bar 94 is inserted into the intramedullary cavity 16 to the depth indicated by a gauge on the side of the holder bar (not shown).

The self-centering drill bit 112 is connected to a drilling device, such as a hand drill at the drill attachment portion 118. The self-centering drill bit 112 is then inserted through a guide hole 92 in a substantially perpendicular direction to the guide body 86 to meet the outer surface of the first remaining bone portion 12. The centering bit portion 116 is first advanced into the first remaining bone portion 12 as the self-centering drill bit 112 is rotated by the drilling device. The fixation bores 42 are thus created by advancing the centering bit portion 116, followed by the main bit portion 112, through the first remaining bone portion 12 and into the anchor body 38. The self-centering drill bit 112 may be further advanced through the entire width of the first remaining bone portion 12.

Once the first fixation bore 42 is created, the self-centering drill bit 112 is left in the fixation bore 42 while additional fixation bores 42 are created using additional self-centering drill bits 112, to additionally stabilize the guide device 84 for the remaining drilling procedures. The above steps may be repeated as many times as desired to create several fixation bores 42.

The fixation bores 42 may be created to form contiguous straight channels through the entire width of the first remaining bone portion 12 from one external surface to the other. It will be appreciated that the fixation bores 42 may be created to a limited depth within the first remaining bone portion 12 as well. A similar procedure may be employed to create one or more fixation bores 42 through the first remaining bone portion 12 from opposite sides of the first intramedullary cavity 16 or from preselected relative angles. The fixation bores 42 may thus be created all parallel in the same direction, or may be a series of oppositely or angularly disposed fixation bores 42 created from opposite or adjacent external surfaces of the first remaining bone portion 12 on opposite or adjacent sides of the first intramedullary cavity 16.

Once the desired fixation bores 42 have been created, one or more fixation elements, such as transverse pins 44 or interlocking screws 46 are then forcibly inserted or threadably inserted into each fixation bore 42 and into each aperture 40, so as to engage the anchor body 38 and the first remaining bone portion 12. The first self-centering drill bit 112 is removed only after the first fixation element has been inserted. The guide device 84 is then disengaged and removed.

The milling device 120 is then used to create a milled end portion 30 upon the first remaining bone portion 12. Where

the milling device 120 includes a cannulated pilot member 126, as set forth in FIG. 10, the cannulated pilot member 126 is inserted into the recess 136 of the milling body 122, until the upper edge of the cylindrical portion 128 contacts the cutting edge 124. A set screw 138 is suitably tightened to enhance a secured relation between the milling body 122 and the cannulated pilot member 126. The milling body 122 is then attached at the drill attachment portion 140 to a drilling device, such as a hand drill. The cannulated pilot member 126 is then inserted into the first intramedullary cavity 16 such that the milling device 122 is positioned atop the first remaining bone portion 12 with its longitudinal axis in a substantially collinear relation with that of the first remaining bone portion 12. Pressure is then exerted in a downward axial direction as the milling device 120 is rotated by the drilling device, thereby rotating the cutting edge 124 upon the osteotomy surface, and thereby removing portions of the bone from this surface. The rotation is continued until the tip portion 130 of the cannulated pilot member 126 abuts against the anchor body 38. At this point, the preselected dimensions of the above components will have caused the rotation of the cutting edge 124 to form a milled end section 30 of a preselected geometry corresponding to that of the cutting edge 124, which is located at a preselected distance from the anchor body 38.

In the situation where a truncated cannulated pilot member 127 is employed, as shown in FIG. 11, the milling body 122 may be connected to a drilling device, such as a hand drill, at the drill attachment portion 140, as before. The milling body 122 and truncated cannulated pilot member 127 may then be disposed upon the connecting rod 48, such that the connecting rod 48 extends into the recess 136 of the milling body 122. Then, the milling body 122 may be rotated by the hand drill as before, with the milling body forced in a downward axial direction until the upper surface of the connecting rod 48 contacts the upper surface of the recess 136. At this point, the preselected dimensions of the connecting rod 48 and the recess 136 will result in the formation of a milled end portion 30 of preselected geometry and location, as before.

In accordance with the method of the present invention, the main body 22 is then positioned in an abutting relation between the interface surface 32 and the milled end portion 30, such that the connecting rod 48 traverses the longitudinal bore 28 of the main body 22 and protrudes into the recess 54 of the main body 22. It will be appreciated that the connecting rod 48 may protrude above any suitable contact surface upon the main body 22. As shown in FIG. 2, where the main body 22 includes a cannulated stem portion 34, the cannulated stem portion 34 is inserted into the first intramedullary cavity 16 as the main body 22 is positioned upon the milled end portion 30. The connecting rod 48 then traverses both the longitudinal bore 28 of the main body 22 as well as the longitudinal bore 36 of the cannulated stem portion 34. Once the main body 22 is positioned upon the milled end portion 30, the pin channels 26 may be used to guide a suitable drilling device for the creation of one or more recesses in the milled end portion 30 for accepting the antirotation pins 68. Once this drilling operation is completed, one or more antirotation pins 68 are disposed within one or more pin channels 26 into the milled end portion 30, thereby preventing rotation of the main body 22 with respect to the milled end portion 30.

One or more fluid seal devices, such as O-rings 70 and 72, may then be positioned at such locations as the recess 74 shown in FIG. 7, and also along the top rim of the main body 22.

In the next step of the method of the present invention, one or more supplemental interposed compliant devices, which are preferably one or more washer springs **56**, or one or more compressible elastic cylinders, may optionally be positioned upon the connecting rod **48** such that they are retained within the recess **54** of the main body **22**. When a plurality of washer springs **56** are used, it is preferred that they be used in an adjacent oppositely disposed relation. A retaining means, such as a lock nut **58**, is advanced upon the upper threaded portion **60** of the connecting rod **48** until the lock nut **58** compresses the washer springs **56** or elastic cylinders until increased resistance is noted. This may occur at above about 75% compression, and may preferably occur at about 90% compression. The lock nut **58** is then enhanced in a secured relation against the connecting rod **48** by tightening the retention screw **64**, which closes the gap **62**. Where the supplemental interposed compliant devices are not employed, the lock nut **58** is advanced directly to the bottom of the recess **54**.

In the situation where the second portion **14** is an orthopedic appliance, as shown in FIGS. **1** and **7**, the sleeve clamp **76** shown in FIGS. **5** and **6** is first positioned upon a portion of either of the main body **22** of the first bone attachment device **20** or the orthopedic appliance. Thereafter, the main body **22** of the first bone attachment device **20** is brought in an end to end abutting relation with a suitable portion of the orthopedic appliance, and the sleeve clamp **76** is positioned so as to substantially surround the main body **22** and a section of the artificial bone portion, and the key **82** is engaged, if it is to be used. The sleeve clamp **76** is then enhanced in a substantially secured relation by tightening the retention screws **80**.

In the situation where two compliant bone fixation devices are used in connection with a first remaining bone portion **12** and a second portion **14**, which is in the form of a second remaining bone portion of the same or a different bone, the above steps for creating and positioning the first bone attachment device **20** upon the first remaining bone portion **12** are repeated in substantially identical form for creating and positioning a second bone attachment device (not shown) upon the second portion **14**. Alternatively, the second bone portion may be attached by a means not in accordance with this invention. In this arrangement, the second bone attachment device may be attached to an interposed orthopedic appliance, which is shown at **142** in FIG. **12**. A sleeve clamp **76** as shown in FIGS. **5** and **6** or other connecting means is positioned upon either of the main body **22** of the first bone attachment device **20** or the interposed orthopedic appliance **142**. The main body **22** of the first bone attachment device **20** is then brought in an end to end abutting relation with the interposed orthopedic appliance **142**. The sleeve clamp **76** is then positioned so as to substantially surround a portion of both the main body **22** and the interposed orthopedic appliance **142**, and is tightened as before.

In the situation where it is necessary to provide for the attachment of external appliances following amputation, the steps of this method are provided with reference to FIG. **13**. The components of the first bone attachment device **20** are substantially assembled, as before. A transcutaneous bar **150** is positioned in an abutting relation to the main body **22** and the sleeve clamp **76** is secured as before. In this procedure, the skin **152** is repaired to substantially surround the transcutaneous bar **150** at the end of the surgery, so that the transcutaneous bar **150** is operable to extend through the repaired skin section for subsequent connection to an external appliance.

A second embodiment of the present invention will now be described with reference to FIGS. **15–25**. Referring now to FIG. **15**, there is shown an elevational view with partial breakaway illustrating the environment of a second embodiment of the apparatus of the present invention. FIG. **15** shows a bone attachment assembly **200** in an implanted condition within a remaining bone portion **202** following resection. The first remaining bone portion **202** is shown to be in the form of a resected femur, although it will be appreciated that the present invention may be used with other bones as well. The bone attachment assembly **200** is suitable for being connected to a second remaining bone portion, an orthopedic appliance connected to a second remaining bone portion, an orthopedic appliance serving as a complete bone replacement, a transcutaneous bar suitable for the attachment of an external appliance or any other suitable device. Therefore, it will be appreciated that the apparatus of the present invention may be used as part of a replacement for a long bone diaphysis or may be used in another portion of any suitable bone. As before, any second remaining bone portion to which the bone attachment assembly **200** may be connected may be a portion of the same bone as the first remaining bone portion **202**, or may be a portion of another bone.

The first remaining bone portion **202** is shown to include a first intramedullary cavity **204**. The first intramedullary cavity **204** may preferably be a longitudinal bore that includes of at least a portion of the natural intramedullary cavity of the bone. Alternatively, the first intramedullary cavity **204** may be a bore created in any suitable section of bone, such as within or across a proximal section of a femur. In any arrangement, the first intramedullary cavity **204** is created within the bone to a preselected depth from a cut bone surface or the natural external bone surface. This preselected depth preferably corresponds to the expected depth of insertion of a portion of the bone attachment assembly **200** within the bone.

In the version of the second embodiment of the present invention shown in FIG. **15**, the first intramedullary cavity **204** is an enlarged natural intramedullary cavity of the bone. The first intramedullary cavity **204** thus substantially coincides in its longitudinal axis with that of the natural intramedullary cavity of the bone. The bone attachment assembly **200** may also be inserted within the natural intramedullary cavity of the bone, without further enlargement, where suitable.

The bone attachment assembly **200** is constructed of a suitable biocompatible material, such as those previously described. It will be appreciated that all of the materials set forth in the second embodiment herein may be made from the same materials as previously described or any other suitable materials. The bone attachment assembly **200** includes a main body **206** that is substantially cylindrically-shaped, and is preferably operable to be positioned upon a surface of the first remaining bone portion **202**. To provide means for contacting a bone surface in a special relation, the main body **206** may include a special configuration or extension, such as a shoulder portion **208**. The surface of the first remaining bone portion **202** which contacts the bone attachment assembly **200** may be a cut bone surface, a natural external bone surface, or a specially configured bone surface, such as milled end portion **210**. Although the milled end portion **210** is shown in a convex conical geometry, it will be appreciated that any suitable geometry may be used. The main body **206** preferably includes an interface surface **212** for abutting against a surface of the first remaining bone portion **202**. The interface surface **212** may be formed in any

desired configuration upon the main body **206**, the shoulder portion **208** where present, or both. Suitable configurations for the interface surface **212** include geometries corresponding to geometries naturally occurring or formed upon the bone surface, including planar, concave, convex, concave conical and convex conical. Preferred geometries for the interface surface **212** are those that maximize the advantages of maintaining desired contact, pressure and centering with relation to the bone surface. The concave conical arrangement shown in FIG. **15** is a preferred geometry. It will be appreciated, however, that other suitable geometries may be used, which may include grooves, pins or any other features as may be desirable.

As shown in FIG. **15**, the bone attachment assembly **200** further includes an extension **214** connected to the main body **206**. The extension **214** is configured in a male tapered arrangement for connection with any of the devices or remaining bone portions mentioned above. The extension **214** may be connected to or may be integrally formed with the main body **206**. It will be appreciated that the extension **214** may also include any suitable configuration for facilitating attachment to any device or bone portion mentioned above. It will further be appreciated that the main body **206** and the extension **214** may replace a portion of the length of bone being removed during the surgical procedure, by virtue of their position upon the milled end portion **210** of the first remaining bone portion **202**. The extension **214** may include one or more configured surfaces for engagement of one or more devices or appliances. As shown in FIGS. **15-17**, this may include one or more engagement recesses **215**.

When the bone surface contacting the bone attachment assembly **200** is a cut surface of a long bone diaphysis, a milled end portion **210** is preferably created in a preselected geometry relative to the first intramedullary cavity **204**, as described previously. A specially configured bone contact surface, of any type, which may be similar to the milled end portion **210** shown in FIG. **15**, may also be prepared upon any suitable section of bone. In one preferred arrangement, shown in FIG. **15**, the milled end portion **210** is formed to an axisymmetric geometry, and most preferably to a convex conical geometry, whose cross-section has a preselected included angle of inclination relative to the longitudinal axis in the direction of the first remaining bone portion **202**. This same principle can be translated to the formation of any bone contact surface on any section of bone, especially where it is desirable to obtain certain advantages of contact described above. It will therefore be appreciated that other preselected geometries and angles may also be used. The geometry of the interface surface **212** is most preferably constructed to substantially match the geometry of the milled end portion **210**, thereby providing a substantially flush interface between the milled end portion **210** and the interface surface **212**. The interface surface **212** is preferably operable for accepting biological bone attachment by bone ingrowth and/or ongrowth. The interface surface **212** may also enhance stability of the main body **206** with respect to the bone. Thus, the interface surface **212** may include a suitable coating or other surface treatment, as well as ridges or undulations for this purpose.

To provide means for anchoring the bone attachment assembly **200** in a substantially stationary position within a cavity of the first remaining bone portion **202**, an anchor body **216** is provided. The anchor body **216** is disposed at the distal end of the bone attachment assembly **200** relative to the main body **206**. The anchor body **216** is preferably sized and located relative to the main body **206** to be disposed within the first intramedullary cavity **204** at its

distal end when the bone attachment assembly **200** is placed within and upon a bone. The anchor body **216** includes one or more apertures **218** that are operable for accepting the insertion of one or more fixation devices. The apertures **218** may preferably be a plurality of staggered apertures of substantially the same preselected diameter. One possible staggered arrangement for the apertures **218** is the arrangement shown in FIG. **15**. It will be appreciated, however, that any suitable arrangement for the apertures **218** may be used, including those wherein the apertures **218** are in perpendicular or other non-parallel arrangement. The apertures **218** may also be of any suitable number and size.

To provide a passageway for the insertion of suitable engagement devices to engage the anchor body **216**, one or more fixation bores **220** are created through the first remaining bone portion **202**. The fixation bores **220** are preferably sized and located to substantially correspond to the size and location of the apertures **218** located within the anchor body **216**. As such, the fixation bores **220** may also preferably be a plurality of staggered bores created through the first remaining bone portion **202**.

The bone attachment assembly **200** also includes one or more engagement devices that are operable to provide an engagement between the anchor body **216** and the first remaining bone portion **202**. The engagement devices enhance a substantially secured relation of the anchor body **216** within the first intramedullary cavity **204**. In the embodiment shown in FIG. **15**, the selection of engagement device is one or more transverse pins **222** operable for being inserted through one or more fixation bores **220** on at least one side of the anchor body **216**, and also through one or more apertures **218** disposed across the anchor body **216**. Most preferably, a plurality of transverse pins **222** are inserted through the apertures **218** and the fixation bores **220** on both sides of the anchor body **216**. Although the transverse pins **222** may be disposed in a substantially parallel relation as shown, it will be appreciated that the transverse pins **222** may be disposed in other preselected directions and at other angles as the apertures **218** and the fixation bores **220** may be disposed. As before, it will be appreciated that the selection of engagement device may also be one or more interlocking screws or other suitable devices. In addition, the engagement devices may be inserted from opposite sides of the anchor body **216**, as before.

The bone attachment assembly **200** of the present invention exhibits a preselected state of compliance that is retained in the implanted condition of the assembly. Furthermore, the bone attachment assembly **200** in an implanted condition applies a force across the milled end portion **210** which maintains interface stability. The force applied by the compliant section **224** in an expanded condition is generally in the range of from about 100 lbs. to about 1000 lbs. A typical amount of force applied is 400 lbs. Upon implantation, this force is distributed across the area of the bone surface, represented by the milled end portion **210**. It will be appreciated the desired amount of force exerted will vary from application to application, and will depend upon the size of bone involved and the cortical wall thickness and may depend upon other features of the bone or the patient. Preferably, this involves loading the bone attachment assembly **200** to a condition of expansion prior to implantation. To provide means for allowing the bone attachment assembly **200** to exhibit a condition of compliance, the bone attachment assembly **200** includes a compliant section **224**. The compliant section **224** is disposed between the main body **206** and the means for anchoring the bone attachment assembly **200**. The compliant

section 224 is preferably an elongated bar or rod that is an integrally formed extension between the main body 206 and the anchor body 216. Alternatively, the compliant section 224 may take on any suitable construction where the compliant section 224 is manufactured separately from the main body 206 and the anchor body 216, and assembled or attached after the individual components are manufactured, or during the surgical procedure. This may include a modular system of like or differing materials, and can include a traction rod attached to the compliant section 224, where the traction rod itself is compliant relative to the bone, such that it contributes to the compliance of the system. The compliant section 224 may preferably be of a cylindrical shape having a diameter equal to or greater than the anchor body 216. In this arrangement, the compliant section 224 and the anchor body 216 fit snugly within the first intramedullary cavity 204. The bone attachment assembly 200 is preferably preloaded prior to implantation by expanding the compliant section 224 alone to a preselected condition of expansion, according to the forces desired as allowed by the elastic properties of the compliant section 224. It will be appreciated, however, that the means for allowing the bone attachment assembly 200 to exhibit to a condition of compliance may take on any other suitable form. For example, the bone attachment assembly 200 may include more than one compliant section or may include a compliant section disposed in a different configuration or at a different location upon the bone attachment assembly 200 as may be desirable for accomplishing particulars of compliance or attachment. Also, it will be appreciated that the loading of the bone attachment assembly 200 can be accomplished in any suitable manner prior to, during or after implantation. The compliant section 224 is maintained in a condition of expansion following implantation by securing the anchor body 216 at a preselected location within the first intramedullary cavity 204 during a maintained expansion of the compliant section 224 while the milled end portion 210 abuts the interface surface 212.

In a state of expansion during an inserted condition within a bone, the compliant section 224 is operable for experiencing expansion and contraction in response to physiological expansion and contraction in the adjacent bone. Thus, one function of the bone attachment assembly 200 involves the expansion and contraction of the compliant section 224 as necessary to allow the substantial transfer of physiologic loads through the surrounding bone, rather than through the implanted device. The compliant section 224 is preferably formed as an elongated extension that is made compliant to the desired degree and with the desired characteristics. Preferred configurations for accomplishing the compliance of any compliant section 224 discussed herein include perforation into the shape of a single or double helical spring, or springs in the shape of an accordion, although it will be appreciated that any suitable perforated configuration for any compliant section discussed herein may be used. The configuration shown in FIGS. 15-17 is a single helical spring configuration. Such configurations allow the compliant section 224 to expand and contract as a coil spring. The number of turns, the inner diameter of the spring, the outer diameter of the spring, the size of each turn and the angle of each turn of the spring configuration in the compliant section 224 can be manipulated as desired to achieve a specific load, a specific spring rate and a specific deflection capacity. It will be realized that in other arrangements, other suitable non-helical configurations or perforations or other features may be used for the compliant section 224. The present and other embodiments of the present invention are advanta-

geous because they provide compliant fixation through an integrally formed apparatus.

An advantage of the bone attachment assembly 200 of the present invention involves the method by which the compliant section 224 is made. The stock from which the bone attachment assembly 200 is made is first machined to a desirable shape by methods well known to those skilled in the art. The portion of the assembly that is in the form of an elongated bar or rod is then perforated or cut into a configuration that will result in a compliance in this section of the assembly. The perforation or cutting may be accomplished by electrical discharge machining (EDM), which involves the use of a material that conducts electricity to remove material to form desired shapes in another material by using electric spark to remove pieces of the material. This process is applied to the elongated bar or rod portion of the bone attachment assembly 200 to form perforations of a desired shape, such as a helical spring arrangement, directly therein. Typically, a brass wire of a thickness ranging from about three thousandths of an inch to about sixteen thousandths of an inch is used to form the desired perforations. A brass wire of about twelve thousandths of an inch is one common wire used. It will be appreciated that this process may be accomplished using other material selections, configurations and sizes for the material used to create the perforations.

In the method of the present invention, the perforations in the elongated bar or rod are made by contacting a cutting wire with a surface of the elongated bar or rod, or by drilling an aperture into the bar or rod into which the cutting wire may be inserted. Where the cutting wire contacts the external surface of the elongated bar or rod, a single helix is formed. Where the cutting wire is inserted into an aperture formed within the elongated bar or rod, a double helix is formed. An aperture may also be created longitudinally through the elongated bar or rod as well. Where the cutting wire contacts the external surface of the elongated bar or rod, the cutting is accomplished by turning the bar or rod and feeding the wire at an angle suitable for the desired shape of cut. Where the cutting wire is inserted into an aperture formed within the elongated bar or rod, the cutting is accomplished by turning the bar or rod and feeding the wire into the material. The speed at which the wire is fed along the bar or rod relative to its speed of rotation determines the configuration of the resulting perforation, such as the pitch of a helical spring being created. It will be appreciated that the selection of base material and cutting material, the angle of cutting, the inside and/or outside diameter of the bar or rod, the length of cutting and other particulars of the cutting process may be varied to adjust the characteristics of the spring being created. Alternatively, other methods may be utilized to form a spring within the elongated bar or rod portion of the bone attachment assembly 200. These include water jet cutting, blade cutting and laser cutting, as well as other methods that those skilled in the art will appreciate.

As mentioned previously, the bone attachment assembly 200 is preferably loaded to a condition of expansion prior to completion of the surgical procedure. The condition of expansion is an amount of expansion sufficient to assure adequate interface compression force between the milled end portion 210 and the interface surface 212 upon completion of the surgical procedure. This is accomplished by converting the compliant section 224 to a preselected condition of expansion, before, during or after the anchor body 216 is inserted into the first intramedullary cavity 204. To provide means for converting the compliant section 224 to a condition of expansion, the present invention provides

multiple methods. In one method, a preloading rod **250** is operable to expand the compliant section **224** by engaging the bone attachment assembly **200** on both sides of the compliant section **224**, and forcing the two sides of the assembly in opposite directions. As shown in FIGS. **16** and **17**, the preloading rod **250** is sized for insertion within an elongated bore **252** disposed through the extension **214**, the main body **206**, the compliant section **224** and into the anchor body **216** to a depth proximal of the apertures **218**. To provide means for engaging the preloading rod **250** with the bone attachment assembly **200**, the preloading rod **250** includes a threaded portion **254** that may be threaded into a threaded bore **256** located at the proximal end of the bore **252**. The preloading rod **250** is of a greater length than that of the bore **252** so that the portion of the preloading rod **250** distal to the threaded portion **254** may be inserted to or almost to the complete length of the bore **252**. Once this distal portion of the preloading rod **250** is inserted into the bore **252**, the distal end of the preloading rod **250** engages the distal end of the bore **252**. Once the preloading rod **250** contacts the distal end of the bore **252**, any further advancement of the preloading rod **250** will cause an expansion of the compliant section **224**. Thus, subsequent threading of the threaded portion **254** into the threaded bore **256** causes the distal end of the preloading rod **250** to push against the distal end of the bore **252**, progressively forcing the distal end of the bore **252** in a distal direction, and causing the compliant section **224** to expand progressively as the threaded portion **254** is advanced into the threaded bore **256**. The preloading rod **250** further includes means for engaging a tool, such as a knob **258** at its proximal end for facilitating advancement of the preloading rod **250**.

An additional method is where the anchor body **216** and the main body **206** are in place, and a traction member extends from the compliant section **224** through the main body **206** and the extension **214**. A removable traction device applies a traction force to this traction member, thereby elongating the compliant section **224** and simultaneously applying an equal interface force across the interface surface **212**. When the desired force is achieved, a position-holding device is attached to the traction bar, preventing it from reassuming the non-expanded condition as traction is removed. A third method is to have an extension of a compliant section extending to or through an aperture of the main body **206**, the extension including a threaded portion at its proximal end. A threaded member can be advanced upon the threaded portion of the extension against the main body **206**, thereby causing the expansion of the compliant section **224** in a proximal direction.

FIG. **16** shows the bone attachment assembly **200** in a condition prior to insertion of the preloading rod **250**, with the compliant section **224** in a non-expanded condition. FIG. **17** shows the bone attachment assembly **200** with the preloading rod **250** threaded fully into the bone attachment assembly **200**, with the compliant section **224** at an intermediate state of expansion. It will be appreciated that the preloading rod **250** may be threaded into the bone attachment assembly **200** to any desired degree. Preferably, the preloading rod **250** is used in the above manner to preload the bone attachment assembly **200** by expanding the compliant section **224** prior to implantation. The compliant section **224** will typically be expanded prior to implantation by an amount sufficient to assure adequate interface compression force upon removal of the preloading rod **250**. Once the bone attachment assembly **200** is inserted within the first intramedullary cavity **204** and the anchor body **216** is secured as described above, the subsequent dethreading of

the preloading rod **250** and its withdrawal from the assembly will leave the compliant section **224** in a substantially maintained state of expansion. The expanded condition of the compliant section **224** is maintained in the implanted state by the abutment of the interface surface **212** against the milled end portion **210** in combination with the maintained stationary condition of the anchor body **216** by the fixation devices such as the transverse pins **222**.

Referring now to FIG. **18**, there is shown a bone attachment assembly **200** according to the present invention in conjunction with a femoral prosthesis **270**. The femoral prosthesis **270** is shown to include an aperture **272** having a female taper substantially corresponding to the male taper of the extension **214**. Thus, the femoral prosthesis **270** can be press fitted upon the bone attachment assembly **200**. The femoral prosthesis **270** is typically used in reconstructive and limb salvage surgeries. It will be appreciated that the femoral prosthesis **270** is one of several types of devices which can be attached to the bone attachment assembly **200**. The femoral prosthesis **270** is shown to include an intercalary extension segment **274** and a femoral component **276**. It will be appreciated that any of the devices used for connecting the bone attachment assembly **200** can be made of one or more pieces or segments. The femoral prosthesis **270** is constructed of titanium alloy, although it will be appreciated that other suitable materials may be used. In addition, one or more surfaces of the femoral prosthesis **270** or any other attached device may include a coating or other surface treatment such as ridges or undulations, for promoting bone ingrowth and/or ongrowth, for enhancing stability, or for enhancing any other characteristic of the device.

Referring now to FIGS. **19** and **20**, there is shown another version of the second embodiment of the present invention. In this version, a bone attachment assembly is shown generally at **280**. The bone attachment assembly **280** includes a main body **282** which includes a shoulder portion **284**. The main body **282** is further shown to include an interface surface **286**, which is of a concave conical geometry in similar fashion as before. In this version of the bone attachment assembly **280**, the main body **282** is shaped in a tapered configuration.

The bone attachment assembly **280** is further shown to include an anchor body **288** located at its distal end. The anchor body **288** is shown in this arrangement to include four apertures **290** for containing suitable fixation devices for fixation of the anchor body **288** to a surrounding remaining bone portion. As can be seen in FIG. **19**, the apertures **290** are located in a square arrangement which is different from the staggered arrangement of five apertures discussed previously. It will therefore be appreciated that in any version of assembly discussed herein, any suitable aperture configuration may be used.

The bone attachment assembly **280** further includes a compliant section **292** which is an elongated section disposed integrally between the main body **282** and the anchor body **288**, in similar fashion as before. The bone attachment assembly **280** further includes an extension **294** which is generally of a male tapered configuration, and is suitable for direct attachment of a suitable orthopedic device, as before. The bone attachment assembly **280** also includes an elongated bore **296** that traverses the extension **294**, the main body **282** and the compliant section **292**. As before, the bore **296** is suitable for accepting the insertion of a rod (not shown) for expanding the compliant section **292** to a condition of expansion. The bone attachment assembly **80** also includes a threaded bore **298** disposed at the proximal end of the bore **296**. The bore **296** and the threaded bore **298**

function in substantially the same way as the bore 252 and threaded bore 256 previously described. In the arrangement shown in FIG. 19, the compliant section 292 is in a non-expanded condition.

Referring now to FIG. 21, the bone attachment assembly 280 shown in FIGS. 19 and 20 is shown in a preloaded condition. To provide means for loading the compliant section 292 to a condition of expansion, the present invention provides a preloading rod 302, having a threaded portion 304 and a knob 306 in similar fashion as before. In this arrangement shown in FIG. 21, the compliant section 292 is shown to be in an expanded double helical configuration. This expanded configuration is the result of inserting the preloading rod 302 within the bore 296 and threading the threaded portion 304 within the threaded bore 298, in similar fashion as before.

Referring now to FIGS. 22 and 23, there is shown the bone attachment assembly 280 described in connection with FIGS. 19–21, in an implanted condition within a proximal femur 308. In this arrangement, a femoral head prosthesis 310 is shown to be press fitted upon the extension 294. Referring now to FIG. 23, it can be seen that a plurality of transverse pins 312 are used to maintain the anchor body 288 in a substantially stationary position within a cavity 314 disposed within the proximal femur 308. It will be therefore appreciated that the bone attachment assembly of the present invention can be used within other portions of bone besides an intramedullary cavity.

Referring now to FIGS. 24 and 25 there is shown another version of bone assembly according to the present invention at 380. The bone assembly 380 includes a main body 382, a compliant section 384 and an anchor body 386, formed in a cylindrical arrangement. The anchor body 386 includes threads 388 for engaging the walls of a cavity within a bone, such as the first intramedullary cavity 204 or a cavity created within a bone. In the version shown in FIGS. 24 and 25, the bone assembly 380 is fitted with a tibial tray 390 that is attached to the main body 382 via a post 392 threaded into the threaded bore 394 located within the main body 382. The tibial tray 390 is operable to engage a prepared tibial surface, another tibial surface or a device attached to a tibia. The bone assembly 380 is thus operable to be engaged within a bone cavity via threads 388 so that any attachment, such as the tibial tray 390 may engage the bone at another surface. It will be appreciated that a tibial tray attachment is only one of several arrangements for this version of the present invention.

The compliant extension 384 can be expanded to a desired condition of expansion after the bone assembly 380 is threaded into a bone cavity by any suitable device. One possible device utilizes the threaded bore 394 to pull the main body 382 in a proximal direction using a tibial surface, another bone surface or a device mounted upon a tibial surface or other bone surface as a reference. In another arrangement, shown in FIG. 25, a hexagonal headed screw 396 is recessed within the tibial tray 390 and can be dethreaded with a suitable tool within a stem of the tibial tray 390. Alternatively, the compliant section 384 can be expanded to a desired condition of expansion prior to implantation, using a preloading rod or other preloading device, as previously described. Alternatively, a traction rod can extend from the compliant section 384 and the traction applied to the traction rod with counterforce applied against the tibial tray 390 expands the compliant section 384 to the desired amount. A locking member is then advanced on the traction rod down against the tibial tray 390, preventing re-contraction of the compliant section 384. The traction is

then removed from the traction rod, leaving residual expansion of the compliant section 384 and a state of compression at the interface between the tibial tray 390 and the bone.

Referring now to FIG. 26, there is shown another version of the second embodiment of the present invention. In this version, the bone attachment assembly, designated as 400, is in a modular form. The bone attachment assembly 400 includes a main body 402 having a shoulder portion 404 and an interface surface 406. A porous coating 407 is disposed upon the interface surface 406 in this version of the invention. The porous coating 407 is preferably a titanium particle plasma spray. Alternatively, other suitable porous coating materials may be used, including sintered cobalt beads and titanium fibermesh pads. The porous coating 407 is operable to promote bone ingrowth and/or ongrowth and is operable to enhance the engagement of the main body 402 with the bone interface. The porous coating 407 is shown to be formed with a plurality of ridges 408. These ridges 408 further enhance the engagement of the main body 402 with the bone interface, and increase the surface area for bone ingrowth and/or ongrowth. It will be appreciated that any of the versions of the device discussed herein may include a porous coating of this type. An extension 409 is attached to the main body 402, which is generally of the same configuration as previously described. In this version, the main body 402 includes a plurality of recesses 410 in similar fashion to the recesses 215 described in connection with FIGS. 15–17. Here, however, there are eight recesses 410 disposed about the main body 402 approximately 450 apart.

The bone attachment assembly 400 includes an anchor body 412 having a plurality of apertures 414 for securing the anchor body 412 within a bone cavity. The anchor body 412 is shown here to be a separate component that includes a threaded recess 416 for connection to the remainder of the assembly. The bone attachment assembly 400 includes a compliant section 418 in the form of a helical spring, in similar fashion as before. The compliant section 418 includes a threaded post 420 that is operable for connection to the anchor body 412 by being threaded into the threaded recess 416.

In this version, the bone attachment assembly is implanted by first inserting the anchor body 412 into the bone cavity, such as the first intramedullary bone cavity 204 described in connection with FIG. 15. The anchor body 412 is substantially secured in place by any of the methods described herein. The milling of the end of the bone is then performed, using the anchor body 412 to help establish an axis. The compliant section 418 is expanded with an expansion bolt. The assembly is then inserted into the bone cavity. The main body 402 is then rotated so as to thread the threaded post 420 into the threaded recess 416. As this is done, the engagement of the interface surface 406 with the bone interface surface eventually occurs, and further advancement of the threaded post 420 into the threaded recess 416 is not possible. This occurs before the shoulder of the threaded post abuts against the anchor body 412. The expansion bolt is then removed.

As shown in FIG. 26, a sizing ring 422 is operable to be disposed upon the bone attachment assembly 400. The sizing ring 422 is operable to effectively enlarge the diameter of at least a portion of the bone attachment assembly 400 that is inserted within a bone cavity. The sizing ring 422 also assists in centering the bone attachment assembly 400 with respect to the bone. The sizing ring 422 is therefore disposed upon the bone attachment assembly 400 in situations where at least a portion of the bone assembly 400 is smaller than at least a portion of the bone cavity in which it

is to be disposed. The sizing ring **422** is preferably a cylindrical tube of internal diameter that is approximately equal to the external diameter of the anchor body **412** and the compliant section **418**. The sizing ring **422** is operable to be slid upon the anchor body **412** and the compliant section **418** up to the point where it contacts the interface surface **406**. Alternatively, the sizing ring **422** may be disposed upon any suitable section of the bone attachment assembly **400**.

The sizing ring **422** includes an inner surface **424** that preferably engages snugly against the external surface of the elongated bar making up the anchor body **412** and the compliant section **418**. The sizing ring **422** may preferably include a split **426** at which the sizing ring **422** may be slightly enlarged to facilitate its positioning upon the bone attachment assembly **400**. The sizing ring **422** is preferably made of a titanium alloy, such as Ti-6Al-4V, although it will be appreciated that any suitable material may be used. It will also be appreciated that the sizing ring **422** may take on other suitable shapes and sizes as may be desirable for assisting in centering the bone attachment assembly **400** with respect to the bone, and in enlarging the effective size of the bone attachment assembly **400**.

It will be appreciated that in this procedure, the order of steps may be altered without departing from the invention. For example, in the procedure described above in connection with FIG. **26**, the proximal bone surface may not be milled until after the insertion of the anchor body **412** within the bone cavity. In addition, the anchor body **412** may be secured within the cavity by threading it directly into the cavity, in similar manner as that described in connection with FIG. **24**.

In the method of this embodiment of the present invention, a bone is prepared by cutting or other removal or shaping of bone surfaces through methods well known to those skilled in the art. A suitable bone cavity is prepared along the natural intramedullary canal of the bone or through any other region of bone through methods well known to those skilled in the art. One or more suitable engagement surfaces are prepared for the engagement of the components of the device discussed herein, including any special geometries, by methods well known to those skilled in the art. Where desired, suitable fixation bores are created through the bone, also by methods well known to those skilled in the art.

The compliant section of any version of the bone attachment assembly described above is converted to a preselected condition of expansion. Where it is desirable that this be done prior to implantation, means for loading the compliant section to a condition of expansion, such as the preloading rods and other devices discussed herein, are used to expand the compliant section. This may include expanding the compliant section to the degree where the apertures through an anchor body will be aligned with fixation bores disposed within the bone or with another suitable reference. This preferably includes inserting the rod described above into the bore of the bone attachment assembly and engaging the rod with a portion of the bone attachment assembly, such as threading a threaded portion of the rod into a threaded portion of the bore, thereby expanding the compliant section to a preloaded condition. The bone attachment assembly is then implanted within a cavity within the bone. Once the preloaded bone attachment assembly has been inserted within the bone, the means for anchoring the bone attachment assembly is secured in a substantially secured relation and the rod is disengaged from the bone attachment assembly and removed. Where expansion of the compliant section is performed following insertion within a bone cavity, the

insertion process is performed by threading or otherwise, and the expansion of the compliant section is then performed by utilizing a suitable expansion device. The bone attachment assembly is then secured in place, with the compliant section in expansion.

It will be appreciated that several of the components described herein can be made in an integral fashion, or may be formed as separate components that can be threaded or otherwise attached. Additionally, the compliant section in each version can be formed in different configurations and having different perforations of predefined configurations to achieve certain desired results in terms of load, spring rate and deflection. It will be appreciated that the principle of compliant fixation set forth herein can be used in conjunction with any type of bone by varying the sizes and configurations of the components without deviating from the invention. Thus, it will be appreciated that the present invention may be used with any large bone of the body, including a femur, tibia, bones about the elbow and ankle, a finger, a toe or at other suitable anatomical locations where an anchoring device with compliant fixation is desired. In addition, it should be recognized that this principle of compliant fixation may also be useful in other applications, such as in a cabling technique.

Referring now to FIGS. **27-31**, there is shown a first version of a third embodiment of the present invention. In this embodiment, the bone attachment assembly is provided with a sleeve for inhibiting tilting of the compliant section of the assembly in a non-axial direction. This sleeve is preferably an integral extension connected to the main body of the assembly. The bone attachment assembly also includes several additional variations of anchor bodies, which may be secured within a remaining bone portion in different ways. In addition, in this embodiment, the compliant section is provided as an integral extension upon the anchor body.

FIG. **27** is an exploded elevational view of a bone attachment assembly, generally at **500**, in a modular form. The bone attachment assembly **500** includes a main body **502** having a shoulder portion **504** and an interface surface **506**, in similar manner as before. The interface surface **506** is shown to be disposed at an angle relative to the longitudinal axis of the main body **502**. When the interface surface **506** is so angled relative to the longitudinal axis of the assembly, the main body has the ability to become radially constrained against a remaining bone portion upon installation. It will be appreciated, however, that the interface surface **506** may be disposed at any other suitable angle, including a right angle, relative to the longitudinal axis of the main body **502**. The main body **502** includes a cylindrically shaped sleeve **508** disposed as an integral extension upon the lower surface of the main body **502**. The sleeve **508** includes a recess **510** of a generally cylindrical shape that is preferably operable for containing a substantial portion, or the entire portion, of the compliant section discussed below. The inside diameter of the recess **510** is preferably slightly greater than the outer diameter of the compliant section and anchor which it is designed to contain, so that the main body **502** and compliant section are free to move in an axial direction relative to one another, but are substantially constrained in their abilities to move or angulate in non-axial directions relative to one another. The recess **510** is preferably only slightly greater in inside diameter than the outer diameter of the compliant section. It is believed that reducing non-axial deformation of the compliant section of the assembly enhances performance by reducing movements and tilting of the main body relative to the remaining bone portion after implantation.

The main body **502** and the sleeve **508** are shown in FIG. **27** to be coaxial, although this need not be the case. It will therefore be appreciated that any bone attachment assembly set forth herein may utilize a non-coaxial configuration between the main body and sleeve. In such arrangements, it will be appreciated that the interface surface, such as **506**, may be disposed at any suitable angle relative to the sleeve, such as **508**.

The main body **502** also includes an extension **512** for attachment to any suitable device, including an artificial limb, an intercalary segment or an opposing main body of an opposing bone attachment assembly or an articular component. The extension **512** is shown to be of a truncated conical configuration, although it will be appreciated that any suitable connection shape may also be used. An aperture **514** is disposed through the main body **502** and extension **512**, opening into the recess **510** at its far end. A recess **516** is also provided at the near end of the extension **512**, opening into the aperture **514**. Together, the recess **510**, the aperture **514** and the recess **516** provide a specially-configured continuously hollow interior designed to accept the insertion of, and interact with, those additional portions of the assembly that allow the assembly to apply interface pre-stress and exhibit compliance in the implanted condition. It will be appreciated that the various configurations and versions of this embodiment of the present invention will allow this general principle to be adjusted to any configuration necessary to accomplish this desired result. Accordingly, it will also be appreciated that various combinations of assembly components may be used to accomplish the compliant result in this embodiment, and that different components may be substituted throughout to achieve this end. For example, in one version discussed below, the recess **510**, aperture **514** and recess **516** cooperate to allow the insertion of a traction rod integrally formed with a compliant section of the assembly. A nut or other engagement device inserted within the recess **516** operates to secure the traction rod relative to the main body of the assembly. It will be appreciated that the axis of the sleeve **508** may be the same as or may differ from the axis of the extension **512**.

The bone attachment assembly **500** also includes an anchor body **520**. The anchor body **520** is shown to be formed at its far end in the shape of a hemisphere for ease of insertion. It will be appreciated that other suitable shapes which forward any advantage, including ease of insertion and other advantages, may also be used. It is believed that hemispherical and tapered configurations generally tend to be more easily inserted into an enlarged intramedullary cavity of a remaining bone portion. The version of anchor body shown at **520** in FIG. **27** is the type secured within an enlarged intramedullary cavity of a remaining bone portion by cross-pinning the anchor body **520** through the cortex of the remaining bone portion. Apertures **522** are provided for the passage of appropriate pins or other fixation devices through the anchor body **520**. Although four such apertures **522** are shown in FIG. **27**, disposed about the perimeter of the hemisphere, it will be appreciated that any suitable number and configuration of apertures **522** may also be used. In addition, the apertures **522** may be angled, tapered, threaded or otherwise configured as appropriate to utilize any advantage of any chosen method of fixation through the bone cortex, including screws and expanding mechanisms.

The bone attachment assembly **500** also includes a compliant section **524**. In this embodiment, the compliant section **524** is provided as an integral extension connected to the anchor body **520**. This arrangement is believed to have advantages both in facilitating installation and in perfor-

mance. In keeping with the modular nature of this assembly, however, it will be appreciated that the anchor body **520** may be releasably attachable to and from the compliant section **524**, such as through the use of a cooperating threaded portion and recess. The compliant section **524** is preferably of a cylindrical shape and sized for insertion within the recess **510**. The compliant section **524** may preferably be formed as a double helical structure, although it will be appreciated that other configurations, including a single helical structure and other spring-type structures, perforations, indentations and other configurations may also be acceptable. Also, the compliant section **524** may consist of a solid bar, if the material and dimensions of that bar render it sufficiently elastic such that it is more compliant than the section of bone between the interface and the anchor. Determination of the most preferred configuration for the compliant section **524** may depend on such factors as spring constant, degree of unwinding upon application of force (during installation loading or during subsequent operation), deflection of helices away from the axis with axial loading, and the relative radial positions of start and finish of the helices, or left-hand versus right-hand direction of helices, and choice of material. The compliant section **524** may preferably be formed by electron discharge machining or water jet cutting a cylindrical piece of material integrally formed with the anchor body **520**. Other suitable means may also be used. An aperture **526** is shown to run through the compliant section **524** and the anchor body **520**, which is believed to facilitate manufacture and function of the compliant section **524**, as well as reduce the overall weight of the assembly.

The bone attachment assembly **500** also includes means for applying traction to the compliant section **524**, which may also be described as means for converting the compliant section **524** to a condition of expansion. A traction rod **528** is disposed integrally as an extension from the near portion of the compliant section **524**. Engagement of the traction rod **528** in a suitable manner relative to the main body **502** converts the compliant section **524** to a desired condition of expansion during installation. In this version of this embodiment, the traction rod **528** is of a generally cylindrical configuration, and of a size suitable for insertion within the aperture **514**, and extending into the recess **516**. The traction rod **528** includes a threaded portion **530** at its near end for engagement with a suitable engagement device, such as a nut, described below. Since the traction rod communicates force to and from the compliant section **524**, engagement of the traction rod **528** relative to the main body (which engages the remaining bone portion) acts to apply traction to the compliant section **524**, and converts the compliant section **524** to a preselected condition of expansion. The amount of traction or expansion which may be applied to the compliant section **524** is intended to be limited to a preselected range or guided to a specific amount by certain configurations of the assembly and instrumentation design. As such, the compliant section **524** may be expanded to and beyond the elastic limit but not exceeding static ultimate stress. In a condition of expansion, the compliant section **524** has the ability to react elastically to deflections in opposing axial directions, which is believed to be the desired reaction for a compliant implant device. It will be appreciated that the compliant section **524** may be adjusted in its degree of expansion as may be desirable to achieve the desired applied interface pre-stress forces in the implanted condition. This may be accomplished through several portions of the assembly, including the sizing of certain components and the selected degree of engagement between

such components such as the traction rod **528** and the nut described below, and through the planned milling of bone which defines the distance between the step (described below) located upon the anchor body **520** and the interface surface of the remaining bone portion.

The anchor body **520** and compliant section **524** include several design features intended to facilitate working with the bone attachment assembly **500** in installation, adjustment and alignment. A step **532** is provided along the near surface of the compliant section **524**. This step **532** acts as a limit for expansion of the compliant section **524** against the interior end of the recess **510**. A step **534** is also provided about the near perimeter of the anchor body **520**. The step **534** provides an engagement surface for insertion tools and the like during installation of the anchor body **520**. The anchor body **520** also includes a notch **536** or other geometric irregularity that is specifically designed for engagement by an insertion and alignment tool to assure proper rotational alignment of the anchor body **520** during the creation of bony apertures used in the cross-pinning of the anchor body **520** within a remaining bone portion into which the anchor body **520** is inserted. It will be appreciated that other appropriate design features may be incorporated for facilitating installation, adjustment and alignment.

FIG. **28** is a top view illustrating the main body **502**, including the shoulder portion **504**, extension **512**, aperture **514** and recess **516**. In this figure, the shoulder portion **504** is shown to be of a generally elliptical configuration. It will be appreciated that any other suitable configuration for the shoulder portion **504** may also be used, including a circular configuration. It will also be appreciated that any of the components shown herein may suitably be manufactured in a non-coaxial configuration between the main body **502** and the sleeve **508**. The sleeve **508** may also be off-center relative to the shoulder portion **504**, regardless of the circular, elliptical or other configuration of the shoulder portion **504**. FIG. **29** is an elevational side view of the anchor body **520**, compliant section **524**, and traction rod **528**, shown in FIG. **27**. In this side view, 90° removed from the side view shown in FIG. **27**, the configuration of the apertures **522** through the anchor body **520** can be seen.

FIG. **30** is a partial cross-sectional view of the bone attachment assembly **500** in partially assembled form. In this illustration, the traction rod **528** is shown to be inserted within the aperture **514**. The compliant section **524** is also shown to be inserted within the recess **510**. Once the anchor body **520** is secured within a remaining bone portion such as by cross-pinning, and the end of the remaining bone portion is optionally milled as desired, the bone attachment assembly **500** is assembled to the form shown in FIG. **30**. In this form, traction can be applied to the traction rod **528** at the threaded portion **530** in order to apply traction to the compliant section **524** and convert the compliant section **524** to a desired condition of expansion.

FIG. **31** illustrates this version of bone attachment assembly **500** in assembled form and installed within a proximal femur, prior to converting the compliant section **524** to a degree of expansion. Specifically, the bone attachment assembly **500** is shown to be inserted within a prepared cavity **538** of a remaining bone portion **540**. The prepared cavity **538** is preferably formed by reaming with a standard cylindrical reamer or any of the reamers set forth herein, although it will be realized that any suitable method may be used. The remaining bone portion **540** may be any human or animal bone, such as a human femur. Pins **542** are inserted through the cortex of the remaining bone portion **540** and through the apertures **522** in the anchor body **520**. It will be

appreciated, however, that screws or any other suitable engagement devices may also be used. A nut or other engagement device (not shown) may be subsequently threaded upon or may otherwise engage the threaded portion **530** of the traction rod **528** within the recess **516**, against the interior end surface of the recess **516**, as means for engaging the traction rod **528**. In this arrangement, it can be seen that the forces applied to the compliant section **524** in opposing directions by virtue of the pins **542** securing the anchor body **520** to the cortex of the remaining bone portion **540**, combined with the subsequent engagement of a nut upon the threaded portion **530** and against the interior end surface of the recess **516**, will cause the compliant section **524** to be expanded and maintained in this condition. Thus, it can be seen that the design of the overall recess structure of the assembly allows for this communication of force to take place. The degree to which the compliant section **524** is expanded is based on how far the nut is threaded upon the threaded portion **530**, limited by the engagement of the step **532** with the interior end surface of the recess **510**.

The bone attachment assembly **500** may preferably be made of Ti-6Al-4V alloy, 17-4 PH stainless steel, Co—Cr—Mo alloy, 316 LVM stainless steel or any other suitable material. Certain components described herein may purposefully be made of a different material from other components where advantageous. Further, it will be appreciated that in any version of this embodiment, one or more of the various components may be altered in its size, shape and/or connectivity. Certain components of the bone attachment assembly of the present invention may be formed in a separate connecting fashion, rather than in an integrally formed fashion. For example, the threaded rod **528** may be a separately-formed component, attachable by threading or otherwise to the compliant section **524**. Also, the nut and threaded portion **530** may be replaced by any suitable engagement features that maintain the principle of maintaining the compliant section **524** in a desired degree of expansion through the application of opposing forces from opposing ends of the assembly (such as by securing the anchor body **522** with respect to the bone cortex and by securing the threaded rod **528** with respect to the main body **502**). Additional examples of the variations possible for the bone attachment assembly of the present invention are discussed below. It will be appreciated that as a general matter, many characteristics of the components described with respect to any of the embodiments herein may be combined, adjusted, substituted and modified to create many different combinations of assemblies suitable for achieving the desired compliant fixation.

FIGS. **32** and **33** disclose a second version of the third embodiment of the present invention. Specifically, FIG. **32** shows a bone attachment assembly generally at **600**, which includes a main body **602**, as before. In this version, however, the main body **602** is of a somewhat different configuration than the main body **502** described in FIGS. **27**, **28**, **30** and **31**. The main body **602** includes a shoulder portion **604** with an inclined interface surface **602** that is angled relative to the longitudinal axis of the assembly. The shoulder portion **604** is configured in this version to have a near surface at approximately a right angle to the longitudinal axis of the assembly. As before, the shoulder portion **604** may take on any suitable shape, such as a circular shape or an elliptical shape, when viewed from above. The main body **602** also includes a cylindrically shaped sleeve **608** for reducing non-axial deformation of the compliant section discussed below when the bone attachment assembly **600** is in an assembled condition. A cylindrically shaped recess **610**

extends through the sleeve **608** as before. In this version, however, the recess **610** also extends through the main body **602** and through a portion of the conically shaped extension **612** connected to the upper portion of the main body **602**. Thus, in this configuration, the recess **610** is able to accommodate insertion of a much longer portion of compliant section, if desired. As before, the extension **612** is operable for connection to any suitable appliance.

The bone attachment assembly **600** also includes an aperture **614** that is operable for allowing the passage of a traction rod in similar manner as before. A recess **616** is located within the near portion of the extension **612**, which opens into the aperture **614** in similar manner as before. The recess **616** again allows the insertion of means for engaging the traction rod in similar manner as before. In this arrangement, the recess **616** also includes a threaded portion **618** for facilitating a connection to any suitable external appliance.

FIG. **32** also shows an anchor body **620** that is formed in an elongated cylindrical configuration. The anchor body **620** includes apertures **622** in a staggered configuration for cross-pinning of the anchor body **620** within a remaining bone portion. A compliant section **624** is integrally formed with the anchor body **620** and may be formed in a single helix, double helix, or any other suitable compliant configuration, as discussed previously. In this arrangement, the anchor body **620** and the compliant section **624** can be configured to have substantially similar outer diameters. Alternatively, the outer diameter of the anchor body **620** may also be greater than the outer diameter of the compliant section **624**. A traction rod **628** is integrally formed upon the near end of the compliant section **624**, and contains a threaded portion **630** in a similar manner as before.

This configuration of bone attachment assembly also includes certain configurations intended to enhance the insertion and operability of the device. A step **632** is provided at the near end of the compliant section **624** as a stop against the near surface of the recess **610** when the bone attachment assembly **600** is in an assembled condition. Thus, the step **632** acts as a means for limiting the expansion of the compliant section **624**. A recess **634** is also provided to allow for the insertion of a sleeve, discussed below, surrounding the upper portion of the anchor body **620**, as a buffer between the anchor body **620** and the sleeve wall defined by the recess **610**.

FIG. **33** shows the bone attachment assembly **600** in an assembled condition and disposed within an enlarged intramedullary cavity **638** of a remaining bone portion **640**. In the installed configuration shown in FIG. **33**, the anchor body **620** is substantially secured within the intramedullary cavity **638** through the use of pins **642** extending through the cortices of the remaining bone portion **640** and through the apertures **622** in the anchor body **620**. The compliant section **624** is in an expanded condition through the engagement of a nut **644** upon the threaded portion **630** of the traction rod **628** and engagement of the nut **644** against the interior base surface of the recess **616**. A sleeve **646** is disposed within the recess **634** for reducing contact between the compliant section **624** and the cylindrically shaped wall defining the recess **610**. The sleeve **646** may be made of any suitable material, such as a polymer material or bioresorbable material. It may also extend over the length of the compliant section **624**. An intercalary segment **648** is also shown to be disposed upon the extension **612**. It will be appreciated that the intercalary segment may be any suitable appliance.

FIGS. **34-36** are three elevational views illustrating three sizes of a threaded anchor body which is an alternate to the

cross-pinned versions of anchor body shown at **520** and **620**. The threaded anchor bodies **700**, **720** and **740** are each shown to be of a generally tapered configuration and include tapered helical cutting threads **702**, **722** and **742**. The threaded anchor bodies **700**, **720** and **740** may also be of a generally cylindrical configuration. The tapered helical cutting threads **702**, **722** and **742** each include a plurality of notches **704**, **724** and **744** which are disposed longitudinally across the helical threads, thereby giving them a cutting character. Accordingly, the threaded anchor bodies **700**, **720** and **740** are self-tapping anchor bodies that can be directly threaded into an enlarged intramedullary cavity or otherwise prepared cavity of a remaining bone portion and secured in place without the cross-pinning used in previous versions of this embodiment. Each threaded anchor body is shown to be integrally formed with a compliant section **706**, **726** and **746**. In similar manner as before, however, in keeping with the modular nature of the assembly, it will be appreciated that any of the threaded anchor bodies may be releasably attached to a compliant section, such as through the use of a cooperating threaded insertion portion and recess. Any of the compliant sections may be formed as a single helix, a double helix, or other suitable configuration. Also as before, the compliant sections **706**, **726** and **746** are preferably formed by electron discharge machining or water jet cutting.

In this arrangement of threaded anchor bodies, the compliant sections **706**, **726** and **746** each include a threaded recess **708**, **728** and **748** for accepting a threaded screw of the type described in connection with FIG. **38**. Apertures **710**, **730** and **750** extend through the threaded anchor bodies **700**, **720** and **740** as well as through the compliant sections **706**, **726** and **746**, in similar manner as before.

This configuration of anchor body also includes certain configured surfaces to facilitate insertion, adjustment and securing of the threaded anchor bodies **700**, **720** and **740**. A hexagonal engagement surface is provided on each threaded anchor body at **712**, **732** and **752** to provide transmission of insertion torque. Alternatively, slots or tabs of any suitable configuration or other means may also be used as engagement surfaces. This surface is suitable for engagement by a correspondingly shaped hexagonal insertion tool that can be used to rotatably thread any of the anchor bodies into a secure position within an enlarged intramedullary cavity. Each threaded anchor body may also be provided with a step, at **714**, **734** and **754** to provide an abutment surface for engagement of a suitable insertion tool.

FIG. **37** is a bottom perspective view illustrating the geometry of the tapered helical cutting threads **702** disposed upon the threaded anchor body **700**. It will be appreciated that this configuration is applicable to any sized threaded anchor body **700**, **720** or **740**, and that the tapered helical cutting threads **702** are representative of any of the tapered helical cutting threads **702**, **722** or **742**. The tapered helical cutting threads **702** are shown to be separated by specifically shaped notches or cutting flutes **704** that are designed to provide a cutting action for the arrangement. Between any two cutting flutes, the major radius R of the thread preferably remains constant. This is shown by the radii indicia at R_1 , R_2 , R_3 and R_4 . A jump in radius $\sim R$ occurs for the cutting threads **702** at each cutting flute **704**. As such, as one follows a thread from the trailing margin of a cutting flute to the leading margin of the next cutting flute, the major radius of the thread does not change. As one crosses the cutting flute, there is a discrete increase in the thread radius. This change in thread radius need not be constant, however, among the various levels of the cutting threads **702**. For a conical shaped anchor body, however, the change in thread radius R

among cutting flutes **704** would generally be constant. It will be appreciated that this principle applies to a single, double or other multiple cutting flute arrangement and that any suitable shape for the notches or flutes **704** may be used.

FIG. **38** is an elevational view illustrating a threaded screw **760** that is suitable for being threadably inserted into the threaded recess **708**, **728** or **748** in any of the threaded anchor bodies **700**, **720** or **740**. The threaded screw **760** includes a head **762** having a recess **764** that is shown in a configuration suitable for engagement of a flat-bladed screw driver. It will be appreciated, however, that any suitable engagement means may also be used, including a hexagonal internal recess (such as for engagement of a hex key wrench) or a hexagonal external surface for engagement of a conventional-type socket wrench or similar tool. The threaded screw **760** also includes a threaded portion **766** at its opposing end. The threaded portion **766** is suitable for direct engagement within the threaded recesses **708**, **728** or **748** of any of the threaded anchor bodies shown in FIGS. **34–36**. An optional, preferably hemispherical, washer **768** is also provided below the head **762** for engagement within a suitable recess that is formed as part of a main body, extension portion or other suitable attachment forming part of the bone attachment assembly of the present invention. The washer **768** may be threaded upon the threaded screw **760**.

FIG. **39** is a partial cross-sectional view illustrating a third version of the third embodiment of the present invention. In this version, a threaded anchor body of the type shown in FIG. **35** is used in combination with a main body of the type shown in FIG. **27**, with a threaded screw of the type shown in FIG. **38** included as a means for applying traction to the compliant section or means for expanding the compliant section to a preselected degree of expansion.

A bone attachment assembly is provided generally at **800** and includes a main body **802**. The main body **802** includes a shoulder portion **804** having an interface surface **806**, in similar manner as before. A sleeve **808** is disposed upon the main body **802**, and includes a recess **810**. An extension **812**, of a generally conical configuration, is disposed upon the near end of the main body **802**. An aperture **814** is disposed within the main body **802**, which opens into the recess **810**. A recess **816** is provided at the near end of the extension **812**, which opens into the aperture **814**, such that the recess **816**, the aperture **814**, and the recess **810** provide a passageway for insertion of a threaded screw **860**.

A threaded anchor body **820** is shown to be inserted within an enlarged intramedullary cavity **838** of a remaining bone portion **840**. The threaded anchor body includes tapered helical cutting threads **822** having notches **824**, in similar manner as before. The bone attachment assembly **800** also includes a compliant section **826**, integrally formed with the near end of the threaded anchor body **820**. A threaded recess **828** is provided at the near end of the compliant section **826** so that means for engaging the compliant section with respect to the main body, in the form of a threaded screw **860**, may be threadably inserted. An aperture **830** is disposed through the compliant section **826** and the threaded anchor body **820**, also as before. Engagement surfaces **832**, of different geometry than the hexagonal engagement surface previously described, and step **834** are also provided for engagement of this section of the bone attachment assembly **800** by a suitable tool.

Means for engaging the compliant section **826** with the main body **802** is provided in the form of a threaded screw **860** that is inserted through the aperture **814** and is threaded

by its threaded portion **866** into the threaded recess **828**. The threaded screw **860** may preferably be of the type shown at **760** in connection with FIG. **39**. As the threaded screw **860** is advanced into the threaded recess **828**, engagement of the head **862** against the interior end surface of the recess **816** causes expansion of the compliant section **826**, since the threaded anchor body **820** is retained in place within the remaining bone portion by the tapered helical cutting threads **822**. A recess **864** is provided upon the head **862** to facilitate tightening of the threaded screw **860**, as previously described. It will be appreciated that the threaded screw **760** shown in FIG. **39** may also be used in conjunction with a recess, such as that shown at **828** in FIG. **40**, as a means for expansion of the compliant section in any other embodiment described herein, such as in FIGS. **27** and **2931**.

FIG. **40** illustrates a fourth version of the third embodiment of the present invention, wherein a standard tibial tray is used as an alternative attachment for any of the main bodies previously described. The tibial tray **870** includes a recess **872** that is operable for accepting the insertion of a threaded screw **874**, which may be a modified version of the screw **760** shown in FIG. **38**. Of course, it will be appreciated that the length of the screw **862** may be adjusted to suit the particular need. The screw **862** may even be of excessive length so as to project into the compliant section and even into the anchor body **820**. The tibial tray **870** is shown to be attached to an integral anchor body **820** and compliant section **826** from the discussion accompanying FIG. **39**, although it will be appreciated that any form of anchor body and compliant section, integrally formed or not, may also be used. In addition, the compliant section **826** may also be attached directly to the tibial tray **870**.

The method of using this embodiment of the present invention is discussed with reference to FIGS. **41–47**. It will be appreciated, however, that in similar manner as before, different combinations of method steps are intended to be capable of substitution for use with any of the assembly embodiments described herein. In this embodiment of the method of the present invention, an intramedullary cavity or other cavity of a remaining bone portion is suitably prepared for containing any of the anchor bodies described herein. In the case of the cross-secured version of anchor body **520** or **620** described in connection with FIGS. **27–33**, a standard cylindrical reamer (not shown) well known to those skilled in the art may be used. In those arrangements, however, where one of the threaded anchor bodies **700**, **720** or **740** illustrated in FIGS. **34–36** are used, specially-shaped reamers shown in FIGS. **41–43** are preferably used. These reamers may also be used as an alternative with the cross-secured version of anchor body **520** or **620**. Three reamers of different sizes are shown in FIGS. **41–43** at **900**, **910** and **920**. Each reamer includes a shaft **902**, **912** and **922** having graduated scale markings **904**, **914** and **924** for identifying depth of insertion of the reamer. The shaft **902**, **912** or **922** may be attached to any power drill or other suitable powered instrument, or may alternatively be powered by hand. A cutting end **906**, **916** and **926** located at the far end of each reamer includes specially-shaped cutting surfaces **908**, **918** and **928** that are designed to form a portion of an intramedullary cavity of a remaining bone portion to compliment the shapes of the threaded anchor bodies shown in FIGS. **34–36**. The cutting surface **928** is shown to have a maximum diameter *d* representing the maximum diameter to which a cavity will be reamed using the instrument. Preferably, the diameter *d* is greater than or equal to the maximum thread diameter of the anchor body to be inserted within the aperture being reamed. This principle applies for all reamer sizes.

FIG. 44 shows a suitable method for preparing an intramedullary cavity 938 of a remaining bone portion 940, for insertion of a threaded anchor body of the type shown in FIGS. 34-36. In the steps of this method of the present invention, the bone within which the bone attachment assembly of the present invention is to be inserted is first cut as desired. Cutting of the bone may involve the removal of diseased or defective bone portions, as appropriate. The bone is cut through methods well known to those skilled in the art, preferably at a 90° angle relative to the longitudinal axis of the bone. It will be appreciated, however, that this angle of cutting may also be adjusted for several factors, including but not limited to the configuration of the natural intramedullary cavity of the bone, certain adjustments in the configuration of the main body, anchor body or compliant section of the bone attachment assembly (including non-coaxial configurations), or for other considerations. The remaining bone portion 940 may be a tibia or any other suitable bone portion. The resulting bone abutment surface 950 may optionally be subsequently milled through any suitable method discussed herein or other methods known to those skilled in the art.

The surgeon determines the desired width and depth for enlargement of the natural intramedullary cavity of the remaining bone portion 940 by first determining the size and configuration of the components of the bone attachment assembly to be used. This is accomplished through selecting, from those different trial sizes available, the appropriately sized and configured main body, tibial tray or other assembly component. Once the surgeon determines the amount of space to be taken by the chosen assembly component, a trial base plate 952 is selected for performing a reaming operation upon the natural intramedullary cavity of the remaining bone portion 940. The trial base plate 952 is chosen to be of a size and configuration that will correspond to the selected attachment to be placed upon the bone abutment surface 950 when the bone attachment assembly as a whole is installed. The trial base plate 952 is temporarily pinned into a substantially stationary position for the reaming and plug insertion process, preferably with several 1/8" pins that pass through the trial base plate 952 and into the bone, through methods well known to those skilled in the art. The trial base plate 952 includes a notched aperture 954. A centering disc 956, of a substantially circular configuration, includes a notched perimeter surface 958 that is intended to substantially correspond to the notched aperture 954 of the trial base plate 952. In this arrangement, insertion of the centering disc 956 within the notched aperture 954 of the trial base plate 952 provides a removable and replaceable means for guiding a reaming operation. The centering disc 956 includes an angled aperture 960 that is of a generally conical configuration and is offset from a vertical configuration by an angle α relative to the longitudinal axis of the natural intramedullary cavity of the remaining bone portion 940. A possible selection for the value of the angle α is 5°, although it will be appreciated that other suitable angle values may be used. The minimum internal diameter for the centering disc 956 is located at its far end, as the angled aperture 960 is angled away from the longitudinal axis in the near direction. The angled aperture 960 is configured in this way to allow for some freedom of angular movement during a reaming operation, while keeping the location of intersection between the reamer longitudinal axis and the trial base plate substantially unchanged. As such, the minimum internal diameter for the angled aperture 960 is located upon the far surface of the centering disc 956, or at the preferred level of said intersection. It will be appreciated that different diam-

eters for the angled aperture 960 may be substituted by merely substituting differently sized centering discs 956. Thus, in this arrangement, a variety of freedom of movement ranges may be achieved through the use of differently sized centering discs 956.

In the reaming operation shown in FIG. 44, multiple graduated sized reamers, such as the ones shown in FIGS. 41-43, are used in a progressive manner to enlarge the natural intramedullary cavity of the remaining bone portion 940, until the cortical bone is reached that is suitable for securing an anchor body of the types used in the present invention. The reamers are used, preferably from smallest to largest desired size, by placing the desired centering disc 956 upon the shaft of the particular reamer selected, and then reaming either using a powered device or by hand. In the illustration shown in FIG. 44, an intermediate-sized reamer 911 is used as a variation of the configuration shown for the intermediate reamer 910. This reamer 911 has a cylindrical portion 917 corresponding to the design of the anchor body being used. The reamer 911 is shown to have a centering disc 956 placed upon its shaft 912 and positioned upon the notched aperture 954 of the trial base plate 952. Powering of the reamer 911 either by hand or with power assisted equipment results in the formation of an enlarged intramedullary cavity, designated by the numeral 938 in FIG. 44. This operation is repeated through a progressively larger series of reamers until the desired size for the enlarged intramedullary cavity 938 is achieved. The graduated scale markings 915 are used to identify the desired insertion depth I for the reamer 911.

FIG. 45 illustrates the installation of a threaded anchor body of the type shown in connection with FIGS. 34-36. For purposes of illustration, the anchor body 720 from FIG. 35 is shown in the FIG. 45 illustration. In this step of the method of the present invention, once the natural intramedullary cavity of the remaining bone portion 940 has been sufficiently enlarged, a threaded anchor body, such as that shown at 720, is inserted into the enlarged intramedullary cavity 938. With a trial base plate 952 in place upon the bone abutment surface 950, a suitably sized centering disc 956 is placed upon the cannulated shaft 972 of an anchor inserter 970.

The anchor inserter 970 is a device used for securing the threaded anchor body 720 in place within the enlarged intramedullary cavity 938 by rotatably threading it into place so that the tapered helical cutting threads 722 become secured within the cortex of the bone at the desired distance from the bone abutment surface 950. The cannulated shaft 972 of the anchor inserter 970 includes an aperture 974 that is specially sized to a small diameter over the near portion of the cannulated shaft 972, while being sized to a larger diameter over the far portion of the cannulated shaft 972. The purpose for this configuration of the aperture 974 is to allow the cannulated shaft 972 to be inserted over the compliant section 726 of the threaded anchor body 720. A hexagonal recess 976 located at the far end of the aperture 974 is sized and configured to engage the hexagonal engagement surface 732 of the threaded anchor body 720. Rotation of the cannulated shaft 972 then accomplishes a rotating insertion of the threaded anchor body 720 within the enlarged intramedullary cavity 938. Graduated scale markings 978 may preferably be disposed upon the cannulated shaft 972 for determining the desired insertion depth I of the threaded anchor body 720 by this device. A handle 980 is provided as part of the anchor inserter 970 to assist in rotation of the cannulated shaft 972 by hand. Alternatively, it will be appreciated that other configurations may also be used to assist in this insertion.

A positioning rod **982** is also provided for helping to maintain the desired positioning and attitude of the threaded anchor body **720** during the insertion procedure. The positioning rod **982** can also be used for extraction. The positioning rod **982** includes a shaft **984** having a threaded portion **986** at its far end. In the operation of this device, the positioning rod **982** is engaged with the threaded recess **728** of the threaded anchor body **720** through the threaded portion **986**. A knob **990** or other torque applying means is provided at the near end of the shaft **984** to facilitate gripping by hand. Preferably, the positioning rod **982** is threadably engaged to the threaded recess **728** so that the threaded anchor body **720** may be held in place during the rotation of the anchor inserter **970** that causes fixation of the threaded anchor body **720**.

In the use of the centering disc **956** in this step of the method of the present invention, the centering disc **956** may or may not be the same size of centering disc **956** used in connection with FIG. **44**. As can be seen in FIG. **45**, the centering disc **956** has an angled aperture **960** displaced in similar manner as before at an angle ϕ relative to the longitudinal axis of the remaining bone portion. The angle of offset represented by ϕ may or may not be the same as the angle \square described in connection with FIG. **44** in the use of the reamer **911**.

The depth of insertion **I** for the threaded anchor body **720** is determined from a reading of the graduated scale markings **915** along the shaft **913** of the reamer **911** during the reaming operation. The threaded anchor body **720** is then advanced in an amount corresponding to the depth **I** read originally from the reamer **911** during the reaming exercise and matching the depth markings **978** along the shaft **972** of the anchor inserter **970**. Alternatively, it may be advanced a preselected number of turns after cortical engagement is noted. The threads **722** cut into the bone surface adjacent the enlarged intramedullary cavity **938** to a certain distance beyond the reamed distance, typically about 1 or 2 mm. The surgeon also notes the depth of the threaded anchor body **720** to determine the length of screw to apply to the compliant section **726** for expanding the compliant section **726** to the desired degree. The trial base plate **952** and centering disc **956** are then removed.

Referring again to FIG. **39**, in the next step of the method of the present invention, the desired assembly component, such as the main body **802**, a tibial tray such as that shown at **870** in FIG. **40**, or other suitable assembly component is then placed upon the remaining bone portion **840**. In the case where a tibial tray such as that shown at **870** in FIG. **40** is used, the tibial tray **870** is merely placed onto the end of the remaining bone portion above the compliant section **826**. In the situation where a main body is used such as in FIG. **39**, the main body **802** is positioned upon the remaining bone portion **840** such that the sleeve **808** is inserted within the enlarged intramedullary cavity **838** over the compliant section **826**. A screw, such as that shown at **864** in FIG. **39**, is then inserted through the aperture **814** so that the threaded portion **866** may be threadably inserted into the threaded recess **828**. The threaded screw **860** is then advanced by a sufficient number of turns to expand the compliant section **826** to the desired amount.

FIG. **46** demonstrates the method of the present invention used for cross-securing, such as by cross-pinning, an anchor body of the types shown in connection with FIGS. **27-33**, within an intramedullary cavity or other prepared cavity. In FIG. **46**, however, this is illustrated as one possible variation in the configuration of the anchor body **520**. Specifically, the anchor body **520** is provided with a chamfered flange **550**

that both facilitates component assembly and provides limited contact area between the anchor body **520** and the anchor holder **1002**, and allows small variations in the angle between the anchor body **520** and sleeve. Accordingly, the chamfered flange **550** will also provide limited contact area between the anchor body **520** and any sleeve disposed as an extension of any main body. It is believed that such freedom of angle is advantageous toward function of the assembly as a whole.

Discussion of the present method of the invention describes the steps used for creating apertures within the surrounding bone cortex, in an aligned relationship with the apertures **522** of the anchor body **520**. It will be appreciated that similar steps may be undertaken to install the anchor body **620**. The apertures created through the bone cortex are used to secure the anchor body **520** in a substantially secured relation by cross-securing, such as through cross-pinning, cross-screwing or the like. FIG. **46** shows an anchor body **520** with integral compliant section and integral traction rod **528** in relation to an enlarged intramedullary cavity **1038** of a remaining bone portion **1040**. Once the components of the assembly have been inserted within the enlarged intramedullary cavity **1038**, a preferably adjustable drill guide, designated generally at **1000**, is used to prepare apertures within the bone cortex as described above. The drill guide **1000** includes an anchor holder **1002**, a cross-bar **1004** and an adjustable drill jig **1006**. The anchor holder **1002** includes a recess **1008** that is of a generally similar configuration to the sleeve **508** of the main body **502** previously described. As such, the anchor holder **1002** does serve the function of setting the depth and establishing the axis of the anchor holder **1002** for accomplishing the cross-drilling function. A tab **1010** is provided at the far end of the anchor holder **1002**, for engaging the notch **536** in the anchor body **520**. The cross-bar **1004** and the drill jig **1006** can be aligned by the surgeon such that the apertures **1014** in the drill jig **1006** are in the proper location for guiding a drilling procedure within the bone cortex. A nut **1051** or other suitable engagement device is tightened upon the traction rod **528** to secure the anchor holder **1002** relative to the anchor body **520**. A knob **1053** is used to tighten the drill jig **1006** in an aligned position relative to the anchor body **520**. Rods (not shown) may be inserted through the apertures **1014** to facilitate and test the alignment of the jig **1006** both prior to drilling and following the drilling of any aperture in the bone cortex. Once the drill guide **1000** is aligned and tightened by the surgeon and inserted into the bone, a power drilling device of the type well-known to those skilled in the art is then inserted through the apertures **1014** and drilling is undertaken through the bone cortex of the remaining bone portion **1040**, through the apertures **522** of the anchor body **520** and through the opposing side of the bone cortex. This operation is performed for all apertures **522** of the anchor body **520**. When drilling is complete, pins are inserted through the apertures **1014** of the drill jig **1006**. The pin length is selected by a measurement process. After the pins are placed, the nut **1051** or other engagement device is removed and the drill guide **1000**, including the anchor holder **1002**, is removed.

Once the anchor body **520** has been secured within the remaining bone portion **1040**, a main body, tibial tray or other suitable attachment is placed upon the anchor body **520** and the compliant section **524**, in similar manner as before. Once the above components are in place, a suitable engagement device such as a nut similar to that at **1051** used for securing the anchor holder **1002** during the drilling procedure, is applied to the threaded portion **530** of the

traction rod **528**. The nut is tightened a sufficient number of turns as determined by the surgeon for expanding the compliant section **524** to the desired degree.

FIG. **47** shows a tool for use in the optional milling of a bone abutment surface. More specifically, FIG. **47** shows a pilot member **1060** that fits over the compliant section **524** of the bone attachment assembly, in similar manner as before. The pilot member includes a recess **1062** so that the pilot member **1060** can be inserted over the compliant section **524** until it meets the step **534** forming a portion of the near surface of the anchor body **520**. The anchor body **520** is also shown to include a different configuration, in the form of a spherically-shaped contact region **552** of radius r , that facilitates component assembly and provides a small angular freedom between it and any sleeve attached to any main body, in a different way than the chamfered flange **550** shown in FIG. **46**. The pilot member **1060** includes a shaft **1064** designed to be fitted over the traction rod **528** integrally formed with the compliant section **524**.

A milling device **1070** is shown to include a cutting end **1072** at a predetermined angle relative to the longitudinal axis of the remaining bone portion **1040** to be milled. This angle can be perpendicular to the longitudinal axis or at any suitable angle. The milling device **1070** also includes a recess **1074** shaped to fit over the shaft **1064** of the pilot member **1060**. A shaft **1076** is also provided for attachment to a power drill or any other powered attachment suitable for rotating the milling device **1070** at a high speed. A set screw **1078** is also provided for tightening the milling device **1070** against the shaft **1064**.

In operation, rotation of the milling device **1070** against an abutment surface **1050** of a remaining bone portion **1040** causes the cutting end **1072** to mill the abutment surface **1050** into a shape represented by the cutting end **1072**. As shown in FIG. **47**, operation of the milling device **1070** shapes the abutment surface **1050** to an angle in a direction corresponding to the angle represented by the cutting end **1072**. Following this procedure, the milling device **1070** and pilot member **1060** are removed, and the remaining steps of the procedure for securing the bone attachment assembly components and for expanding the compliant section are followed in similar manner as previously described.

Yet another embodiment of the bone attachment assembly of the present invention is described in connection with FIGS. **48–51**. Specifically, FIG. **48** shows one version of this embodiment of bone attachment assembly generally at **1100**. The bone attachment assembly **1100** includes a main body **1102** having an articular portion **1104**. In this configuration, the articular portion **1104** is of a generally convex cross-section so as to have a complimentary shaped interface surface **1106**. As such, the interface surface **1106** is suitable for being applied directly upon a surface of a remaining bone portion, such as a proximal femur, that has been shaped through milling or other available methods to a generally convex configuration.

The bone attachment assembly **1100** also includes an anchor body **1120** having apertures **1122** for securing the anchor body **1120** by cross-pinning or cross-screwing in a similar manner as before. The anchor body **1120** also includes a compliant section **1124**. An aperture **1126** is also shown to pass through the anchor body **1120** and compliant section **1124**, in a similar manner as before. In this arrangement, the anchor body **1120**, the compliant section **1124** and the main body **1102** are shown to be integrally formed. A threaded recess **1128** is provided at the far end of the aperture **1126** for threaded engagement of an expansion

rod **1130**, which is inserted from the far end into the aperture **1126**, threaded with its threaded portion **1132** into an engagement with the threaded recess **1128**, and removed from the far end of the assembly once the anchor body **1120** is secured in place. A knob **1134** may preferably be provided for facilitating insertion of the expansion rod **1130** and engagement with the threaded recess **1128**. It will be appreciated that the knob **1134** may take on any suitable shape, such as a hexagonal shape, and may include a suitable means, such as a slot or recess, for engagement by a suitable tool, such as a screwdriver or a hex key wrench. FIG. **48** shows the knob **1134** to be provided with a hexagonal recess **1136**, that is engaged by a torsion applying instrument such as hexagonal shaft **1138**.

Alternatively, it will be appreciated that the expansion rod **1130** may also take the form of a long shaft having a threaded portion at midsection, effectively combining the knob **1134** and hexagonal shaft **1138**. In a similar manner as before, insertion of the expansion rod **1130** within the aperture **1126** and subsequent threading of the threaded portion **1132** with the threaded recess **1128** operates to expand the compliant section **1124** to a preselected condition of expansion. Since the expansion rod **1130**, as well as the expansion rods shown in connection with FIGS. **49–51**, expand each of the respective compliant sections from beneath, they must each be removed from beneath following the cross-pinning or other securing of the respective anchor bodies. This can be accomplished by a removal of the expansion rod through a continuation of the aperture into which the assembly is inserted, through a smaller diameter extension of this aperture or through a complimentary aperture formed from the end of the remaining bone portion opposite the main body.

FIG. **51** illustrates the installation of the version of bone attachment assembly shown in FIG. **48** within a human femur. The femoral head is first prepared to a spherical, cylindrical or conical configuration through methods well known to those skilled in the art. The configured femoral head may also include chamfered ends adjacent the spherical, cylindrical or conical configuration. A cavity **1150** is then reamed along the axis of the femoral neck by any of the methods described herein. An aperture **1151** is prepared through reaming, drilling or otherwise as an extension of the cavity **1150** passing through the cortex opposing the main body **1102**. The aperture **1151** may be created from either cortex along the longitudinal axis of the cavity **1150**. The aperture may preferably be of smaller diameter than the cavity **1150**, and is preferably created after the cavity **1150** is created. Alternatively, the cavity **1150** may be prepared to extend entirely through the femur **1152**.

An expansion rod is provided in FIG. **51** in an extended length form at **1160**, with a centrally-located threaded portion **1162** for engaging the threaded recess **1128**. The expansion rod **1160** may also preferably include an engagement configuration such as a hexagonally-shaped end **1164** for engagement by a wrench or other tool. The expansion rod **1160** is inserted into the aperture **1126** and threaded into the threaded recess **1128** to expand the compliant section **1124** to its intended force. The components of the bone attachment assembly **1100**, including the anchor body **1120**, the compliant section **1124** and main body **1102**, including the articular portion **1104**, are then inserted within the cavity **1150** and applied upon the prepared exterior surface of the femur. The expansion rod **1160** extends through the aperture **1151** and through the cortex proximate the anchor **1120**. The aperture **1151** allows for any adjustment of expansion of the compliant section **1124** to be made. In the case where an

extension rod of the type shown at **1130** in FIG. **48** is used, it can also be manipulated through the aperture **1151**.

While the main body **1102**, including the shoulder portion **1104**, is held against the prepared femur surface, the anchor body **1120** is secured in place within the femur **1152** such as through the use of pins **1158**, using similar method steps involving cross-drilling of apertures through the bone cortices and anchor body apertures **1122** and subsequent insertion of pins as previously described. Screws or other suitable fixation devices may also be used. Once the anchor body **1120** has been secured within the femur **1152**, the expansion rod **1160** is removed from within the aperture **1126**, through the aperture **1151** so as to allow the compliant section **1124** to exert force directly on the bony surfaces contacting the cross-pins and the main body **1102**. Alternatively, it will be appreciated that a threaded traction rod may be integrally formed with the compliant section **1124** and expanded using a nut arrangement, in similar manner as before.

Another version of this embodiment of the present invention is shown in FIG. **49**. Specifically, FIG. **49** illustrates a two-piece bone attachment assembly generally at **1200**. The bone attachment assembly **1200** includes a main body **1202** having an articular portion **1204** which includes an interface surface **1206** in substantially the same shape as that described in connection with FIG. **48**. In this arrangement, however, the main body **1202** contains a threaded recess **1208** for allowing assembly of the components of the bone attachment assembly **1200** during the surgical procedure.

The bone attachment assembly **1200** includes an anchor body **1220** having apertures **1222** suitable for cross-pinning, cross-screwing or the like. An integrally formed compliant section **1224** is also provided in a similar manner as before, and an aperture **1226** extends through the anchor body **1220** and the compliant section **1224**, also in a similar manner as before. A connecting rod **1228** is provided at the near end of the compliant section **1224**, and includes a threaded portion **1230** for engaging the threaded recess **1208** of the main body **1202**. In a similar manner as before, the compliant section **1224** is expanded through the insertion of an expansion rod **1234** within the aperture **1226** and engaging the threaded portion **1236** of the expansion rod **1234** with a threaded recess **1232** located at the far end of the aperture **1226**.

In the method involving this two-piece embodiment of the bone attachment assembly **1200**, the femoral head is prepared substantially as before. A cavity and aperture are also prepared within the femur as before along the axis of the femoral neck. The expansion rod **1234** is inserted within the aperture **1226** and is threaded into the threaded recess **1232**, thereby pre-expanding the compliant section **1224**. The components are then inserted and placed upon to the remaining bone portion in similar manner as before. After the anchor body **1220** is affixed to the surrounding bone cortices with cross-pins or the like using the drill guide as before, the main body **1202** is then threaded onto the connecting rod **1228** snugly against the bone interface, and then the expansion rod **1234** is removed through the end of the bone aperture proximate the anchor **1220** so as to allow the compliant section **1224** to exert force directly on the bony surfaces contacting the cross-pins and the main body **1202**. Alternatively, in this two-piece arrangement, the main body **1202** can be threadably attached to the compliant section **1224** before the cross-pinning has occurred and before the expansion rod is removed.

FIG. **50** illustrates yet another version of this embodiment of the present invention, wherein a bone attachment assembly is provided generally at **1300**. The bone attachment

assembly **1300** includes a main body **1302** having an articular portion **1304** with an interface surface **1306** in similar configuration as before. In this arrangement, however, a cylindrically shaped sleeve **1308** is provided as an extension upon the main body **1302** in a similar manner as in previous embodiments. The sleeve **1308** is shown to include a recess **1310** with a threaded aperture **1312** at its near end. This arrangement also allows for separate assembly of these components during the surgical procedure.

The bone attachment assembly **1300** also includes an anchor body **1320**, which is of a similar shape as the anchor body **520** shown in FIG. **31**. The anchor body **1320** includes apertures **1322** and includes a step **1332** for engaging a suitable installation tool, and for acting as a stop against the far surface of the sleeve **1308** that regulates the amount of expansion for the compliant section **1324**. The compliant section **1324** is integrally formed with the anchor body **1320** and an aperture **1326** extends through the anchor body **1320** and the compliant section **1324** in a similar manner as before. A connection rod **1328** is provided as an integral extension from the near end of the compliant section **1324**. The connection rod **1328** includes a threaded portion **1330** suitable for engaging the threaded aperture **1312**. The installation of this version of bone attachment assembly **1300** involves insertion of the compliant section **1324** into the recess **1310** and threading the threaded portion **1330** into the threaded aperture **1312**. An expansion rod (not shown) having a threaded portion is used in similar manner as before for engaging a threaded recess **1338** located at the far end of the aperture **1326**. Threading such an expansion rod into the aperture **1326** causes expansion of the compliant section **1324** in similar manner as before. In similar manner as before, the expansion rod is removed from within the aperture **1326** following installation and cross-pinning and application of the main body **1302**, to activate the compliant force directly onto the bony surfaces adjacent the main body **1302** and the cross-pins.

Yet another version of this embodiment of the present invention is shown in connection with FIG. **52**. In this version, a bone attachment assembly is provided at **1400** in a non-coaxial configuration. The bone attachment assembly **1400** includes a main body **1402** having a shoulder portion **1404** and an interface surface **1406** with a bone ingrowth enhancing texture. A sleeve **1408** extends from the main body **1402** in similar manner as before. An anchor body **1410** and compliant section **1412** are integrally formed, with a threaded recess **1414** disposed at the near end of the compliant section **1412**. A traction rod **1416** is also provided for expanding the compliant section **1412** relative to the main body **1402**. In this arrangement, however, an extension **1418** is provided upon the main body **1402** in a non-coaxial relationship relative to the sleeve **1408**. The traction rod **1416** is suitable for being inserted through the main body **1402** to the side of the extension **1418**. This version is intended to demonstrate the ability of any component of the invention to be altered in its axial configuration relative to other components to achieve any advantage. In this arrangement, the non-coaxial configuration of the extension **1418** allows increased freedom of sleeve placement within the bone, thereby allowing positioning of a femoral head, for example, independent of the sleeve position. Furthermore, the orientation of the ingrowth interface may be independent from the axis of the extension **1418** and the sleeve **1408**. It will be appreciated that the method steps applicable to this arrangement are substantially as previously described in connection with other similar configurations, and will not be repeated here.

It will be appreciated that any features of any of the embodiments and/or method steps set forth herein are intended to be substituted, shared and/or moved among the various versions and methods involving the assembly. As an example, it will be appreciated that any of the threaded anchor bodies described herein may be substituted for cross-pinned versions. Another contemplated arrangement involves the switching of positions of the compliant section and anchor, so that the anchor is threaded or cross-secured to the near side of the compliant section relative to the main body.

Yet another contemplated arrangement involves the ability of the compliant section to be switchable between extension and compression conditions, referring to the at-rest condition of the compliant section prior to engagement by an extension or compression rod, respectively. In the case of an extension compliant section, an extension rod expands or pulls the compliant section, such as by abutting a closed-ended aperture within the compliant section. In the case of a compression compliant section, a compression rod having a head or knob passes from the end opposite the main body through an aperture through the anchor body and compliant section to compress or push the already-expanded compliant section to a lesser degree of expansion. Force is applied to the compression version of compliant section by the knob or head against the end of the compliant section when the compression rod is threaded into a threaded recess in the main body. The present invention also contemplates the use of Belleville washers within a recess of a sleeve disposed integrally with or otherwise attached to the anchor body, as a substitute for the compliant section. The Belleville washers are compressed by applying force to a plate or other device to the end washer such as by threading a compression rod with such a plate or other device through the washer section from a side opposite the main body. Thus, it will be appreciated that several methods are contemplated for the application of force in a compression or extension environment, using various compression and expansion implements, from either direction relative to the main body of the assembly.

The foregoing discussion discloses and describes merely exemplary arrangements of the present invention. One skilled in the art will readily recognize from such discussion, and from the accompanying drawings and claims, that various changes, modifications and variations can be made therein without departing from the spirit and scope of the invention as defined in the following claims.

What is claimed is:

1. A tibial tray assembly for attaching within a cavity formed in a tibia, said tibial tray assembly comprising:
 - a main body including a tibial tray operable to engage a prepared tibia surface and a post attached to said tibial tray;
 - an anchor operable to be retained within the cavity formed in the tibia; and
 - a compliant portion operable to be expanded and contracted, said compliant portion disposed between said main body and said anchor, said compliant portion and said anchor formed as a monolithic structure, wherein said post is threadably coupled to said compliant portion.
2. The tibial tray assembly as defined in claim 1 wherein said tibial tray includes a recess that is operable to slidably receive said threaded post passing through said tibial tray.
3. The tibial tray assembly as defined in claim 1 wherein said anchor include threads extending about an outer surface of said anchor.

4. The tibial tray assembly as defined in claim 3 wherein said threads are tapered helical cutting threads having longitudinally extending cutting flutes operable to provide a cutting action for said helical cutting threads.

5. The tibial tray assembly as defined in claim 4 wherein a major radius R of each thread between any two cutting flutes remains substantially constant, wherein as a thread extends from a trailing margin of said cutting flute to a leading margin of the next cutting flute, the major radius of the thread does not change and as the thread crosses the cutting flute, there is a discreet change in the thread radius.

6. The tibial tray assembly as defined in claim 1 wherein said compliant portion is shaped as a helical spring.

7. The tibial tray assembly as defined in Claim 1 wherein upon rotating said post, said compliant portion is expanded to a desired condition of expansion after said anchor is secured within the cavity formed within the tibia.

8. A tibial tray assembly for attaching within a cavity formed in a tibia, said tibial tray assembly comprising:

- a main body including a tibial tray operable to engage a prepared tibia surface;
- an anchor operable to be retained within the cavity formed in the tibia;
- a compliant portion operable to be expanded and contracted, said compliant portion disposed between said main body and said anchor, said compliant portion and said anchor formed as a monolithic structure; and
- a sleeve defining a recess, wherein said compliant portion is disposed within said recess of said sleeve to substantially inhibit nonaxial deflection of said compliant portion.

9. A tibial tray assembly for attaching within a cavity formed in a tibia, said tibial tray assembly comprising:

- a main body including a tibial tray operable to engage a prepared tibia surface;
- an anchor operable to be retained within the cavity formed in the tibia, said anchor body defines a stepped shoulder wherein said stepped shoulder defines an engagement surface operable to be engaged by an insertion device to insert said anchor in the cavity formed in the tibia; and
- a compliant portion operable to be expanded and contracted, said compliant portion disposed between said main body and said anchor, said compliant portion and said anchor formed as a monolithic structure.

10. A tibial tray assembly for attaching within a cavity formed in a tibia, said tibial tray assembly comprising:

- a main body including a post attached to a tibial tray, said tibial tray operable to engage a prepared tibial surface;
- an anchor operable to be retained within said cavity formed within the tibia, said anchor including external helical threads operable to fixedly attach said anchor within the cavity formed within the tibia;
- a compliant portion operable to be expanded and contracted, said compliant portion disposed between said main body and said anchor, said compliant portion and said anchor formed as a monolithic structure; and
- a sleeve defining a recess, said compliant portion disposed and contained within said recess of said sleeve and operable to substantially inhibit nonaxial deflection of said compliant portion.

11. A tibial tray assembly for attaching within a cavity formed in a tibia, said tibial tray assembly comprising:

- a main body including a post attached to a tibial tray, said tibial tray operable to engage a prepared tibial surface;

51

an anchor operable to be retained within said cavity formed within the tibia, said anchor including external helical threads operable to fixedly attach said anchor within the cavity formed within the tibia, said anchor including a stepped shoulder defining an engagement surface operable to be engaged by an instrument to insert said anchor into the cavity formed in the tibia; and

a compliant portion operable to be expanded and contracted, said compliant portion disposed between said main body and said anchor, said compliant portion and said anchor formed as a monolithic structure.

12. The tibial tray assembly as defined in claim 11, wherein said compliant portion is a helical compliant portion.

13. A tibial tray assembly for attaching within a cavity formed in a tibia, said tibial tray assembly comprising:

52

a main body including a threaded post operable to threadably pass through a tibial tray, said tibial tray operable to engage a prepared tibial surface;

an anchor operable to be retained within the cavity formed in the tibia, said anchor including helical threads operable to fixedly attach said anchor within the cavity formed within the tibia; and

a helical compliant portion operable to be expanded and contracted, said helical compliant portion being shaped as a helical spring, said helical compliant portion disposed between said main body and said anchor, said compliant portion and said anchor are formed as a monolithic structure, wherein said post is threadably attached to said compliant portion and is operable to adjust a force applied to said compliant portion.

* * * * *